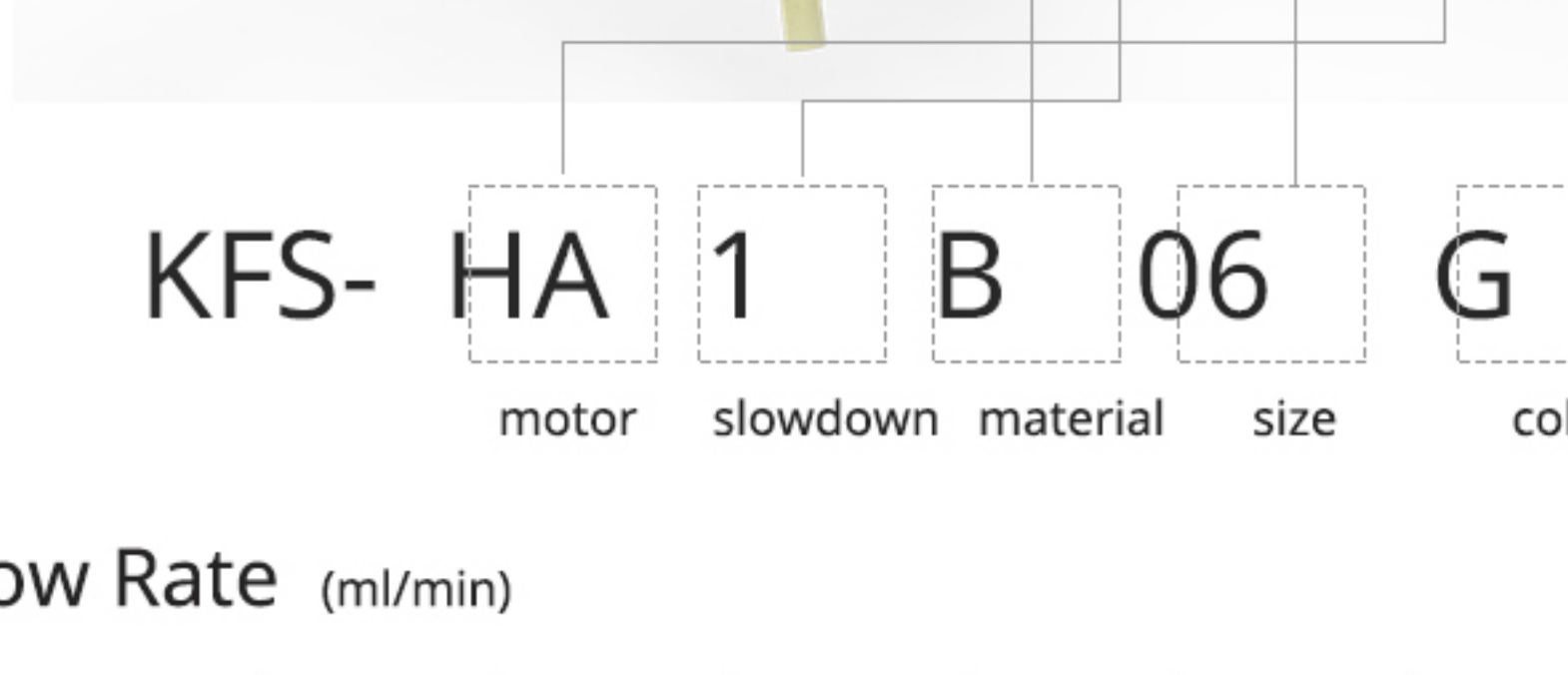


Features

- Flow rate: 1~140ml/min
- Suitable for viscous liquid and non-viscous liquid
- Smallest peristaltic pump, weight only for 90g
- High reliability, low noise
- Lifetime for the motor: 3000H
- Tubing for selection: Silicone tubing, imported PharMed, imported Masterflex Viton tubing
- Working environment: temperature 0-40°C、humidity < 80%



KFS- HA 1 B 06 G
 motor slowdown material size colour

Flow Rate (ml/min)

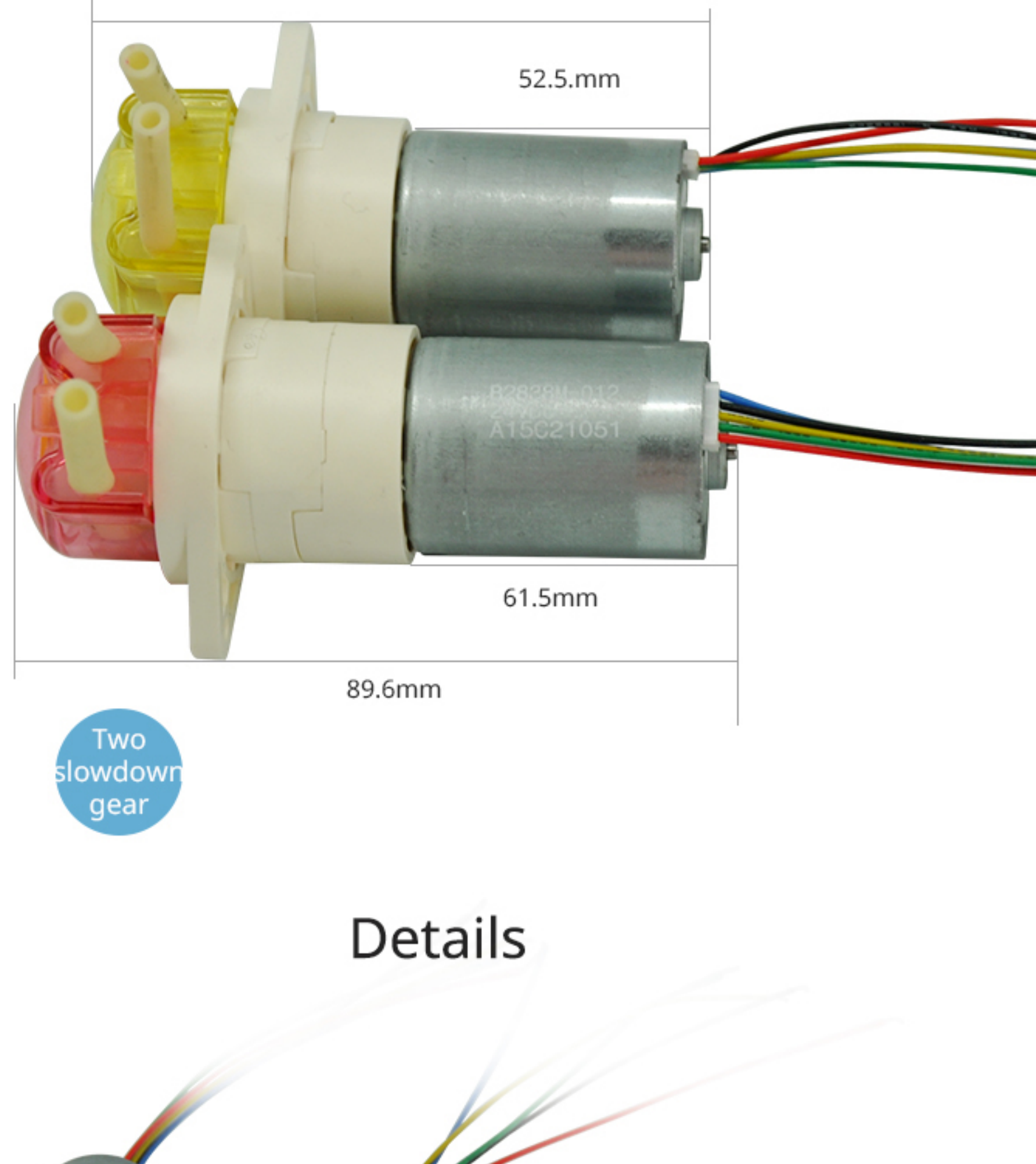
Model	S04	S06	S10	B04	B06	B10	V01
ID*OD (mm)	1.0*3.0	2.0*4.0	3.0*5.0	1.0*3.0	2.0*4.0	3.0*5.0	2.54*4.24
Material	S	S	S	B	B	B	Viton
24V Brushless motor (HD) Current: 0.1A	One slow down gear	15	50	95	15	50	95
	Two slow down gear	1	4	7	1	4	7
12V Brushless motor (HE) Current: 0.3A	One slow down gear	12	40	80	12	40	55
	Two slow down gear	1	4	7	1	4	7

Note: Tubing length: 135mm(exposed 30mm) BPT tube (B) Viton tube (V) 175mm(exposed 50mm) Silicon tube (S)

Ideal working condition: Ambient temperature 0~40°C
 Relative humidity < 80%

On the condition that 48dB cases environmental noise, measured 30cm full load 60dB
 At the expense of traffic cases, noise can be reduced.

Note: the above test data of KFS is measured at 20 °C at room temperature pure water under no pressure until the pump tube crack. Actual service life is related with medium, condition, temperature, humidity, voltage, speed and other factors, the measured data as a reference. Can be customized according to customer needs.

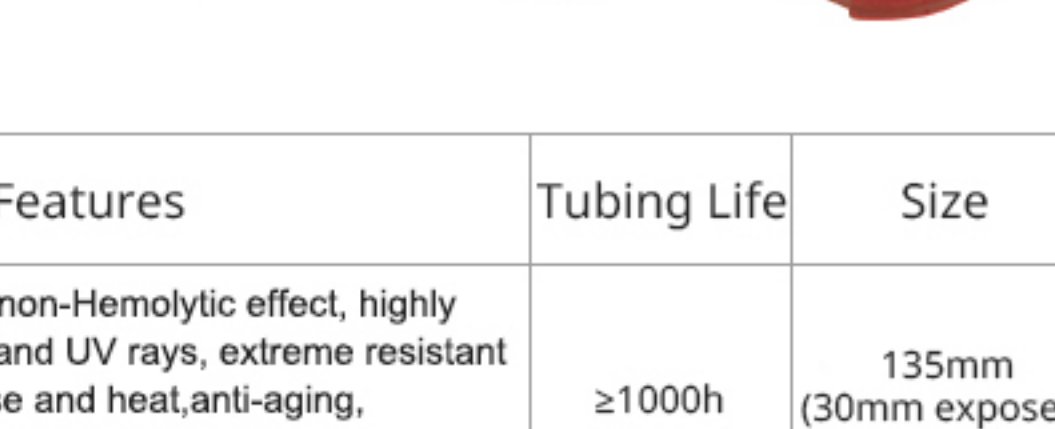


Details



Motor Selection
 Motor type: DC motor
 Voltage: 6V/12V/24V

Tube Selection
 imported PharMed BPT : B
 imported MasterFlex Viton : V
 silicone : S



Tubes	Materials	Features	Tubing Life	Size
B	PharMed® BPT	Non-cytotoxic and non-Hemolytic effect, highly resistant to ozone and UV rays, extreme resistant to the acid and base and heat, anti-aging, antioxidant, long service time, Temperature range from -51°C - 132°C	≥1000h	135mm (30mm exposed)
V	Viton	Anti-high temperature ,anti-oil, Excellent resistance to chemical corrosive and ozone. Poor resistance to low temperature and radiation .long life .	≥1000h	135mm (30mm exposed)
S	Silicon	Competitive price, Resistant to weak acid and base, The softest of tube types, Most commonly used in water pump	≥200h	175mm (50mm exposed)

Note: The above test data measured by KFS pump with three rollers at the speed of 400 rpm/min continuously working at the room temperature 20°C pure water under no pressure and measured until the pump tube crack. The lifetime of tube is not the same because of the speed of the pump head, general, the lower speed of pump head, the longer the tube life, the real lifetime depends on medium, condition, temperature and humidity and volt and other factors, the test data is for reference.

Code	Connection	ID	Tubing
1	1/16	0.6≤φ≤1.6	1*3mm
2	3/32	1.6<φ≤2.4	2*4mm
3	1/8	2.4<φ≤3.2	3*5mm
4	5/32	4.0≤φ≤4.8	4*6mm



Transmission method

Transmission method is gear drive, one slow down gear rate:1:14, two slow down gear rate:1:196. One slow down gear reduction speed of output is fast, tends to achieve high flow rate; Two slow down gear reduction speed of output is slow, tend to achieve mini flow rate

Main material

Cover is made of highlight PC plastic, pump body、gear use of imported synthetic plastics to ensure the reliable and low-noise operation of pump.



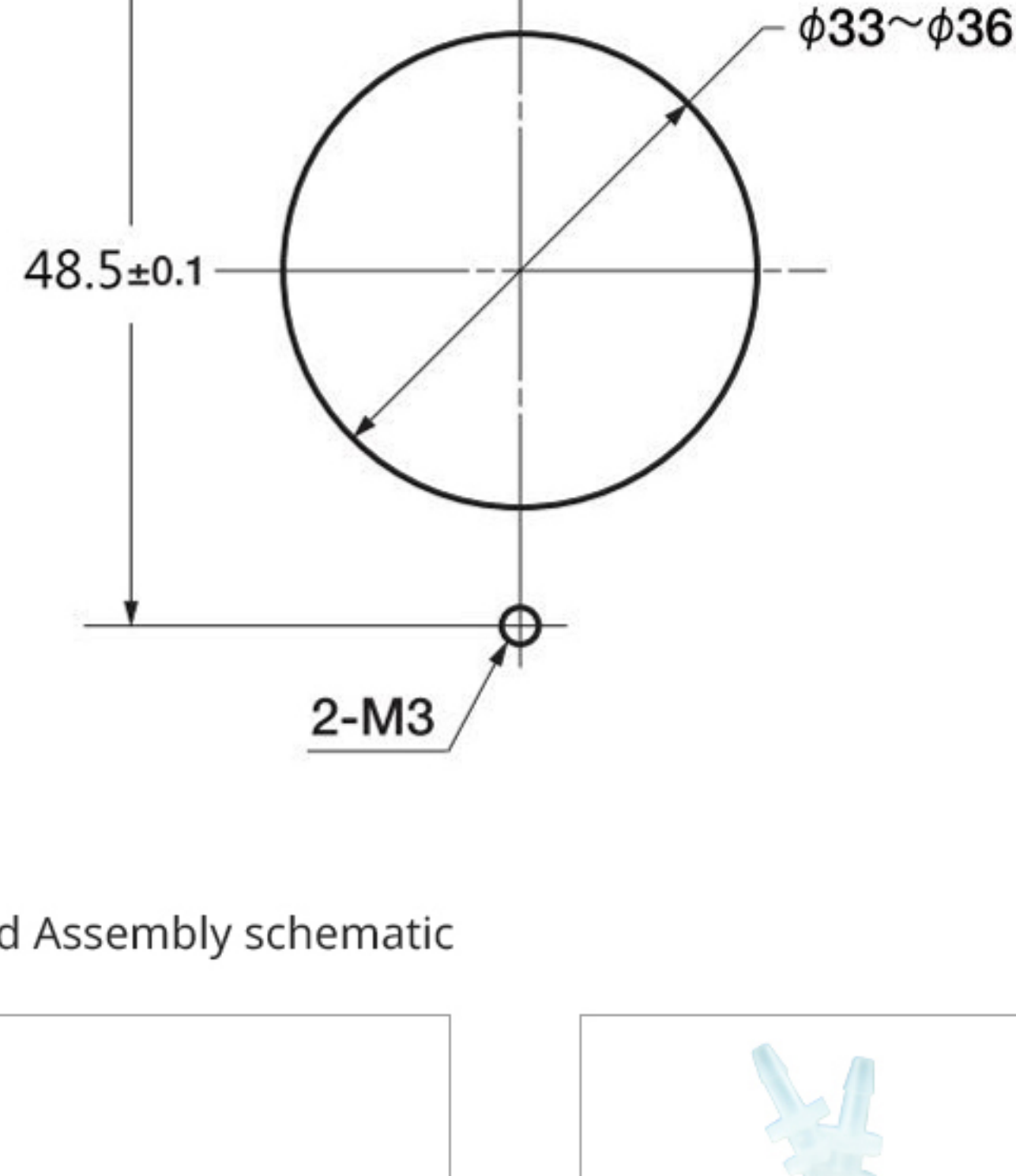
Colour

Yellow for Y
 White for W
 Green for G
 Purple for P
 Red for R

Installation method

Installation method is wear plate fixed (see the installation diagram), and pump head can Quick release, connectors towards can choose any of the above and below direction (see the installation diagram) .

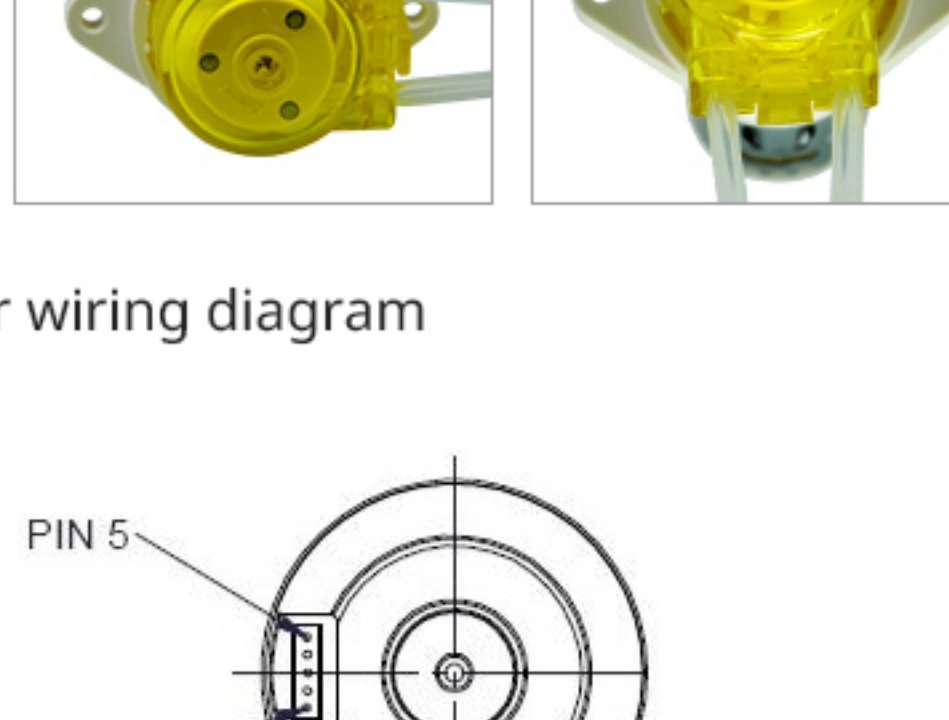
Installation hole size



Pump head Assembly schematic



Brushless motor wiring diagram

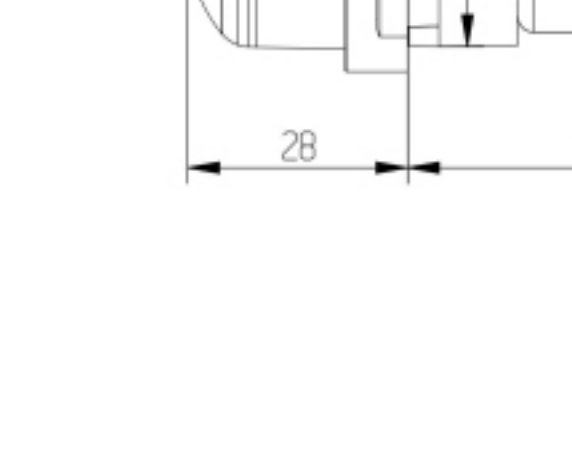


Overall Dimensions

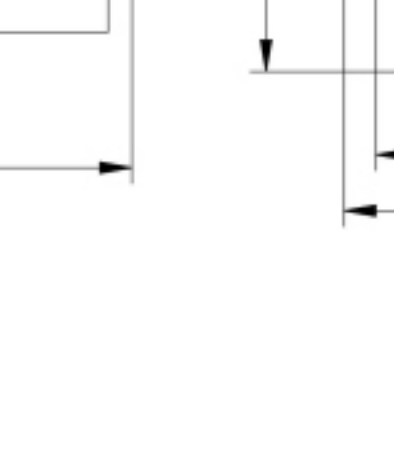


one gear slowdown

Application



Unmanned aircraft sprays



Cleaning robot



Sweeping robot