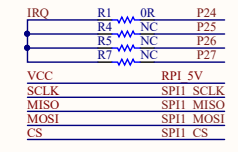
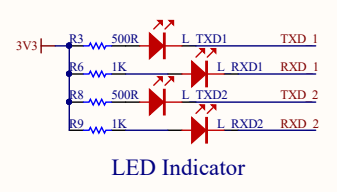
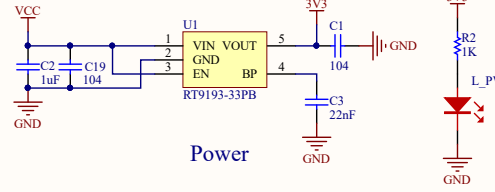
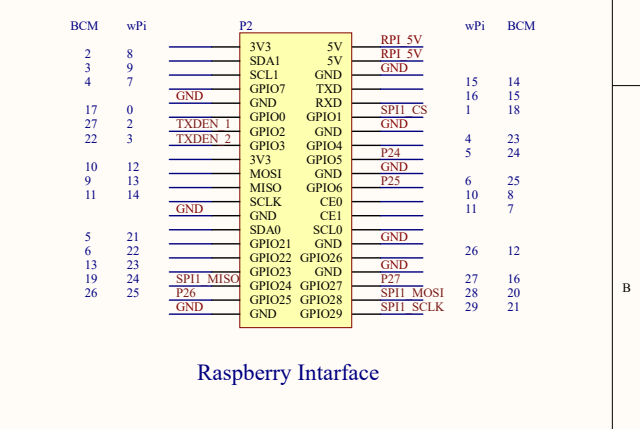
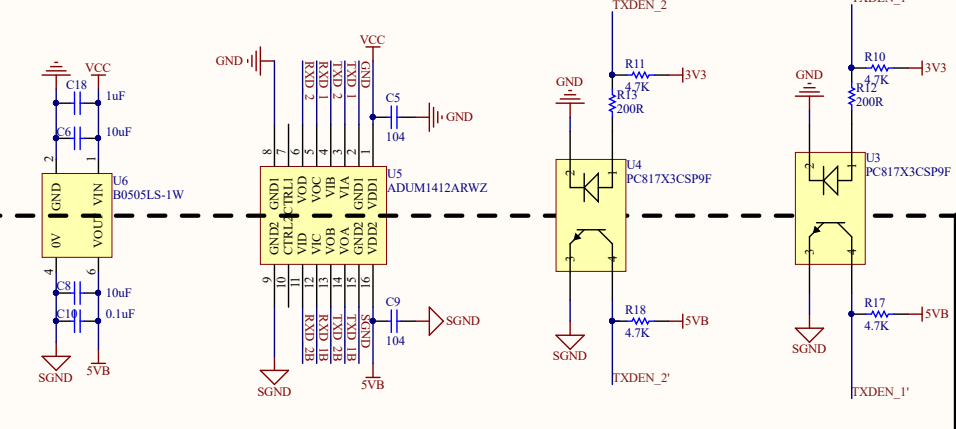
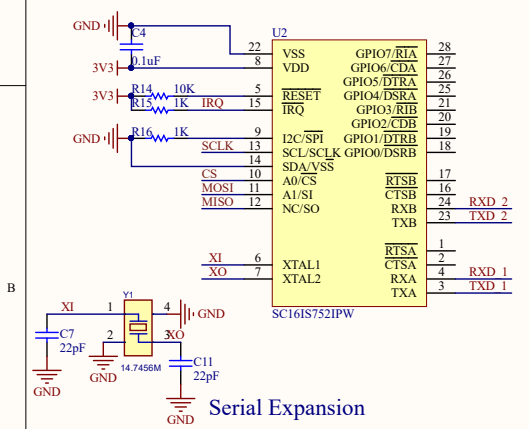


Interface



A

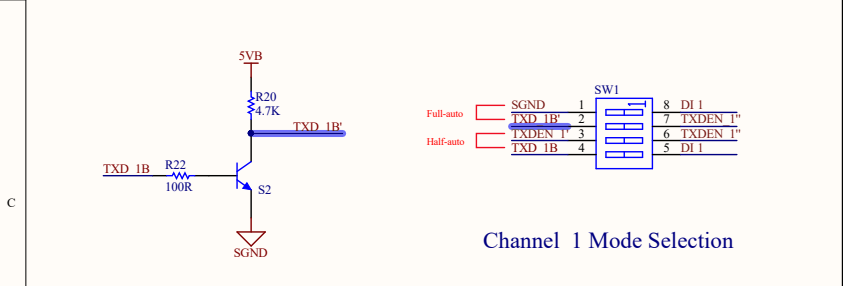
A



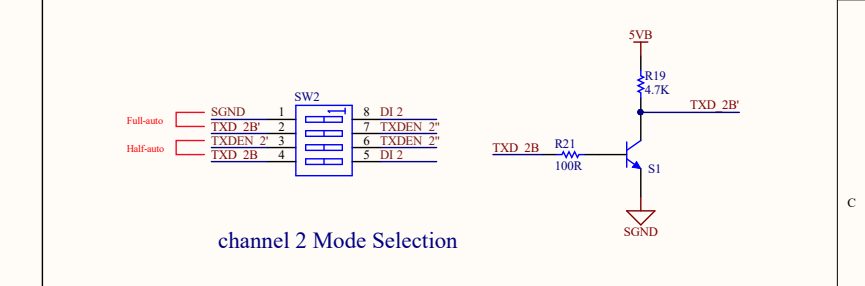
Raspberry Interface

B

B

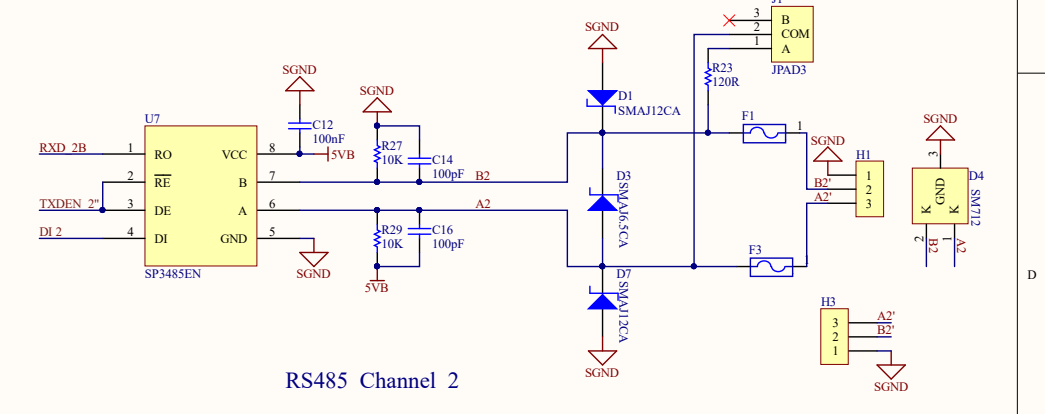
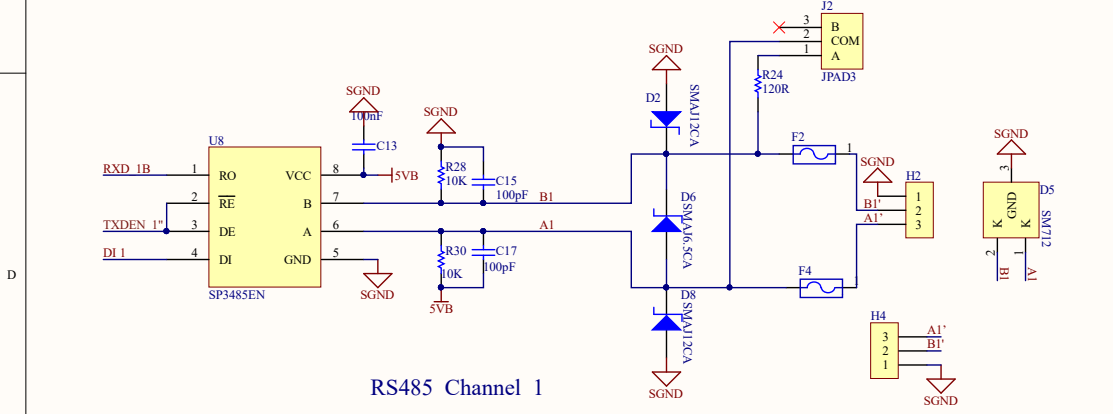


2-CH RS485 HAT



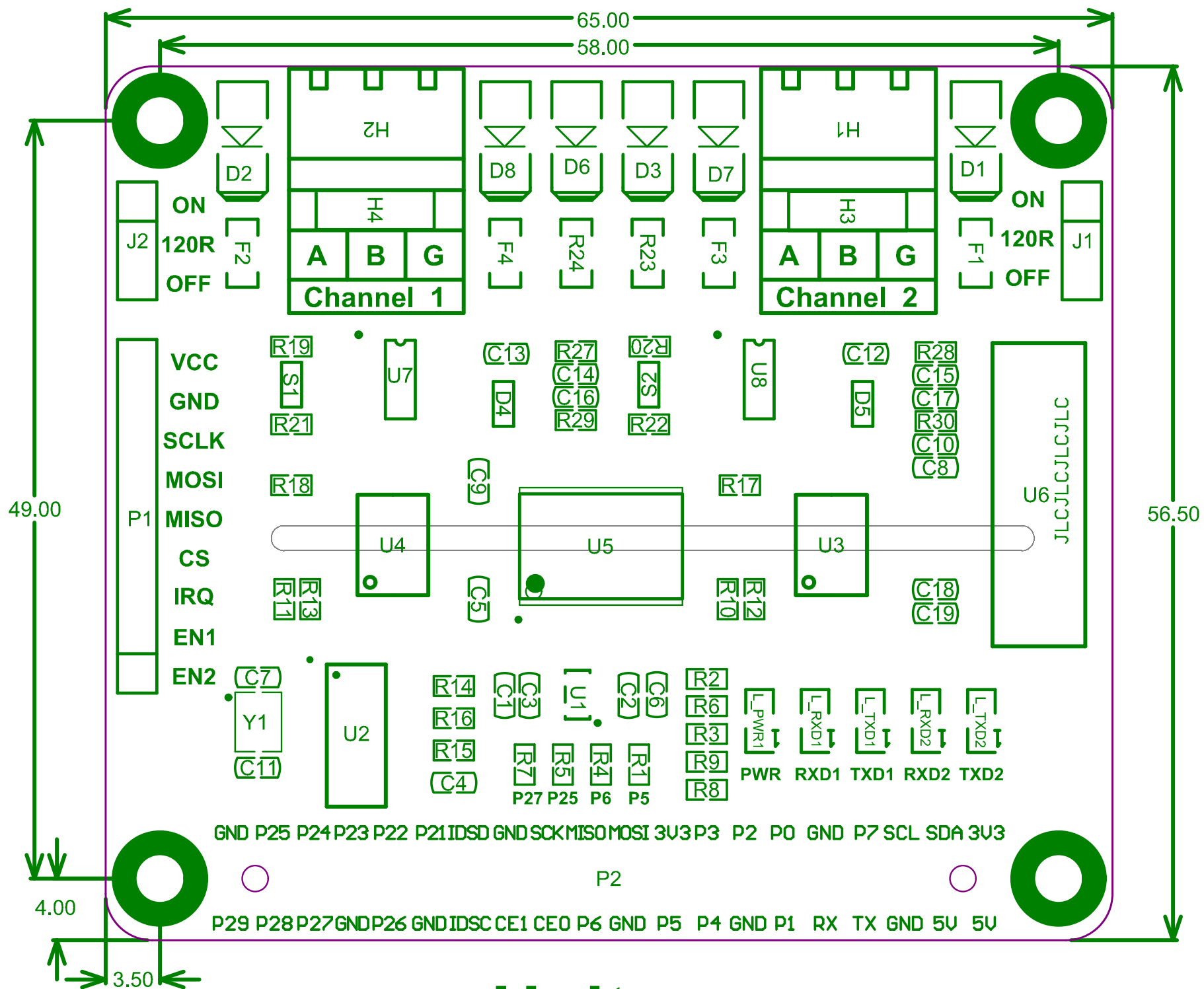
C

C



D

D



Unit:mm