

# HK3022 Pressure sensors

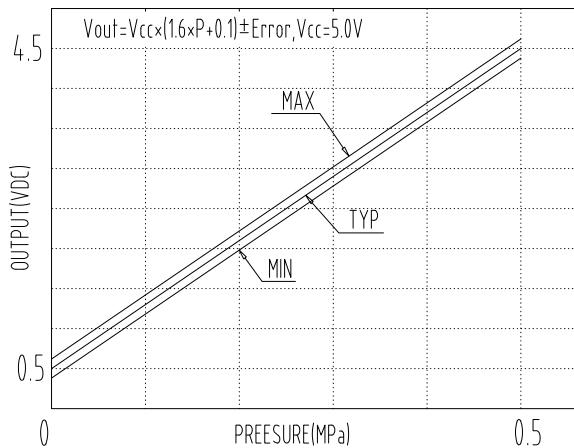
## ◆ typical application

Pressure measurement of clean, non-corrosive gases and liquids

## ◆ Technical Parameters

operating voltage:	$5 \pm 0.2$	VDC	operating temperature:	$-20 \sim 85$	$^{\circ}\text{C}$
output voltage:	$0.5 \sim 4.5$	VDC @5V	Measurement accuracy:	$\pm 1.5$	%FS
Operating Current:	$\leq 10$	mA	temperature drift:	$\pm 0.03$	%FS/ $^{\circ}\text{C}$
Working Pressure Range:	$0 \sim 0.5$	MPa	response time:	$\leq 5.0$	ms
Maximum applied pressure:	$0.8$	MPa	Cycle life:	$> 1000000$	pcs
destructive pressure:	$1.0$	MPa	Protection class:	IP65	

## ◆ output curve

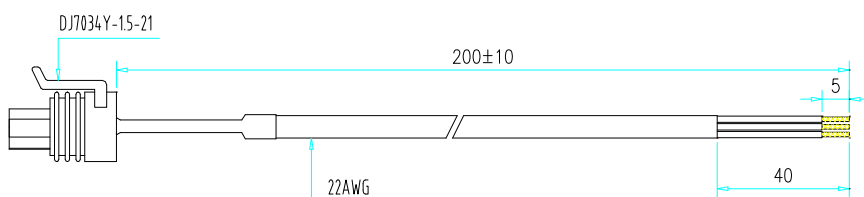
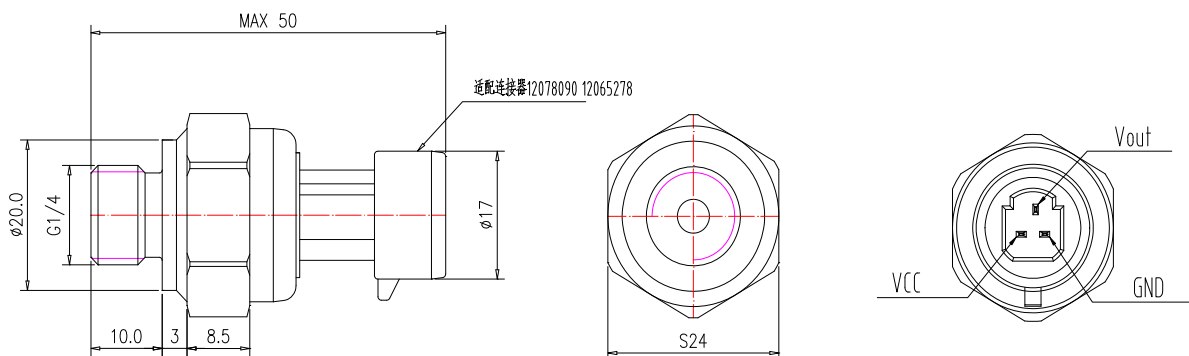


$$V_{out} = V_{CC} * (1.6 * P + 0.1)$$

VCC typical 5V

P is the current pressure, unit Mpa

## ◆ Product Illustrations & Dimensions



Lead Definition:  
VCC: red line (Power +)  
OUT: yellow line (signal output)  
GND: black line (Power -)