

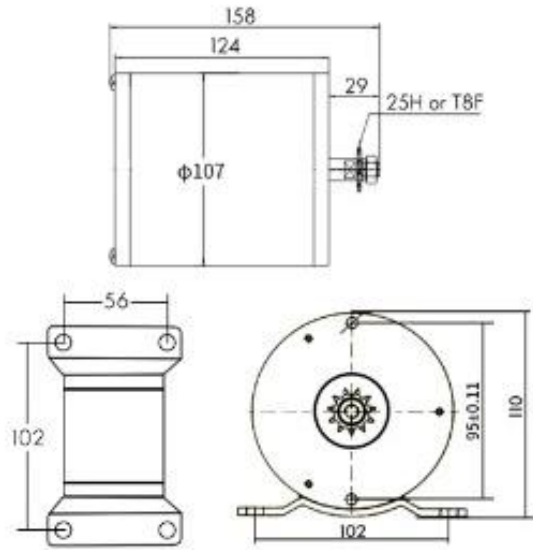


The power and model can optional have:

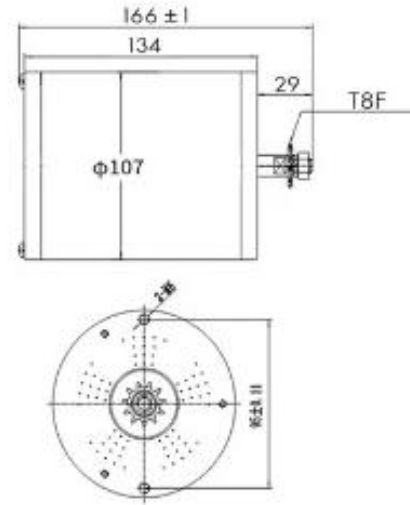
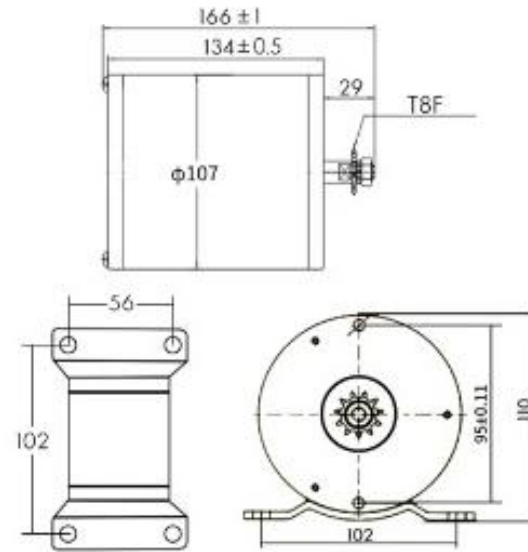
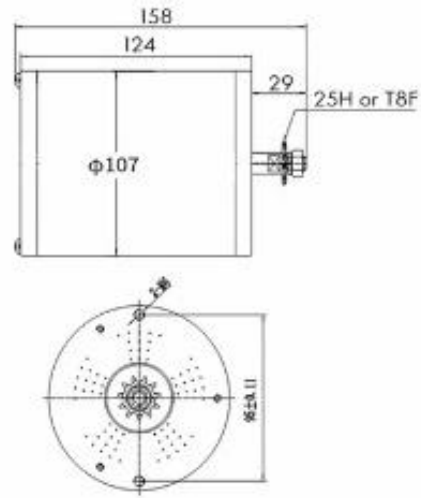
500W/36V;500W/48V;800W/36V;1000W/36V;1000W/48V;1200W/48V;1500W/48V;1600W/48V;1800W/48V;1800W/60V;2000W/48V;2000W/60V;2500W/60V;2500W/72V;3000W 60V;3000W/72V

Model/规格型号	BM1109							
Specification 功率/电压	800W 36V	1000W 36V/48V	1200W 48V	1500W 48V	1600W 48V	1800W 48V	2000W 60V	3000W 72V
Unload current 空载电流/A	≤4.5	≤4.8/4.2	≤5.6	≤6.5	≤6.8	≤7.6	≤7.2	≤8.8
Unloaded speed 空载转速 /rpm	3500	3500	4200	5000	5000	5200	5400	5800
Rated torque 额定扭矩/N·m	2.2	2.7	3	3.75	4	4.5	5	5.4
Rated speed 额定转速/rpm	3100	3100	3500	3750	3900	4500	4600	4900
Rated current 额定电流/A	≤23	≤28/21	≤26	≤30	≤34	≤38	≤36	≤43
Efficiency 电机效率/%	≥80	≥80	≥80	≥80	≥80	≥80	≥80	≥80
Application 应用范围	Scooter/Small Electric motorcycle 滑板车 / 电摩							

500W/800W/1000W /1200W/1500W SIZE:



1600W/1800W/2000W/3000W SIZE:



Physical Photos:



WITH FOOT

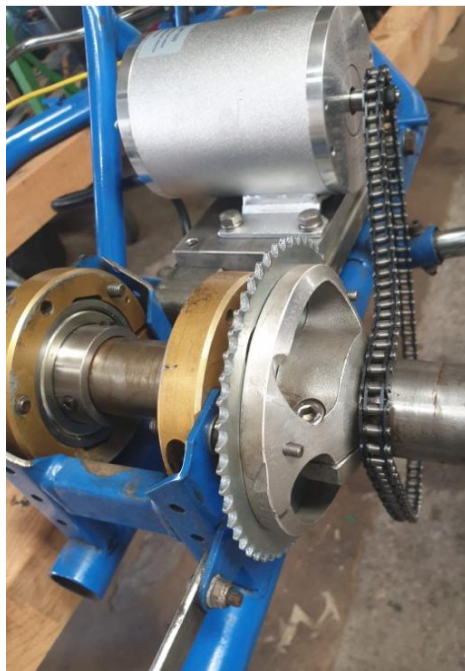


NO FOOT

PACKING PHOTOS:



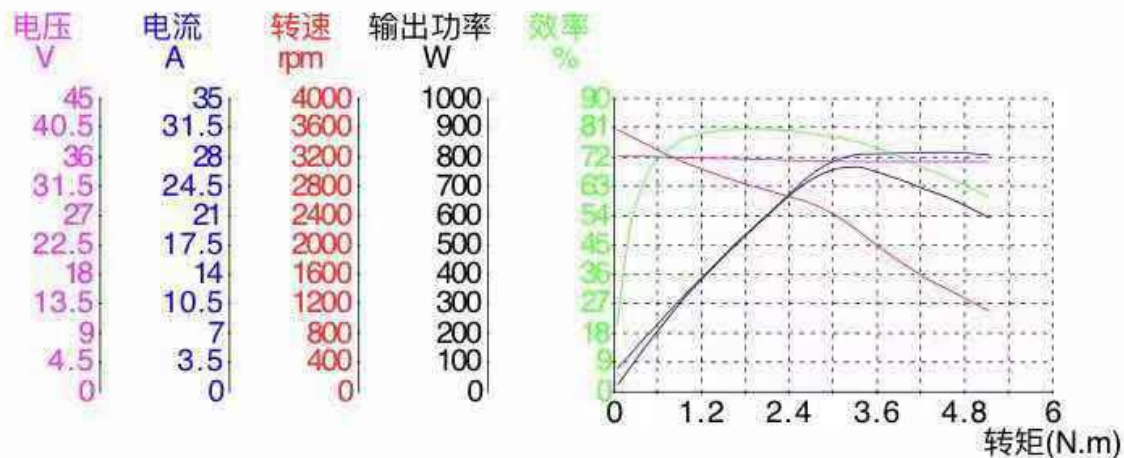
Application Photos:



Test Report for 500W 36V:

Yalu Motor Test Report

客户名称(Customer): 额定电压(Voltage): 36V
 产品名称(ProductName): BM1109 额定功率(Power rated):
 电机型号(Type): 36V-500W 测试人员(Tester):
 电机编号(Number): 201902190002 测试日期(Test Date): 2019.02.19



特征点	电压	电流	输入功率	转矩	转速	输出功率	效率	时间
	V	A	W	N.m	rpm	W	%	S
不加载点(No_Load)	36.16	2.701	97.66	0.052	3568	19.43	19.9	0.000
最高效率点(Eff_max)	35.60	19.18	683.0	1.878	2804	551.3	80.7	33.50
最大输出功率点(Pout_max)	35.29	28.10	991.6	3.107	2377	773.0	78.0	43.50
最大转矩点(Torque_max)	35.29	28.17	994.1	5.139	1100	591.9	59.5	61.00
结束点(End)	35.29	28.17	994.1	5.139	1100	591.9	59.5	61.00

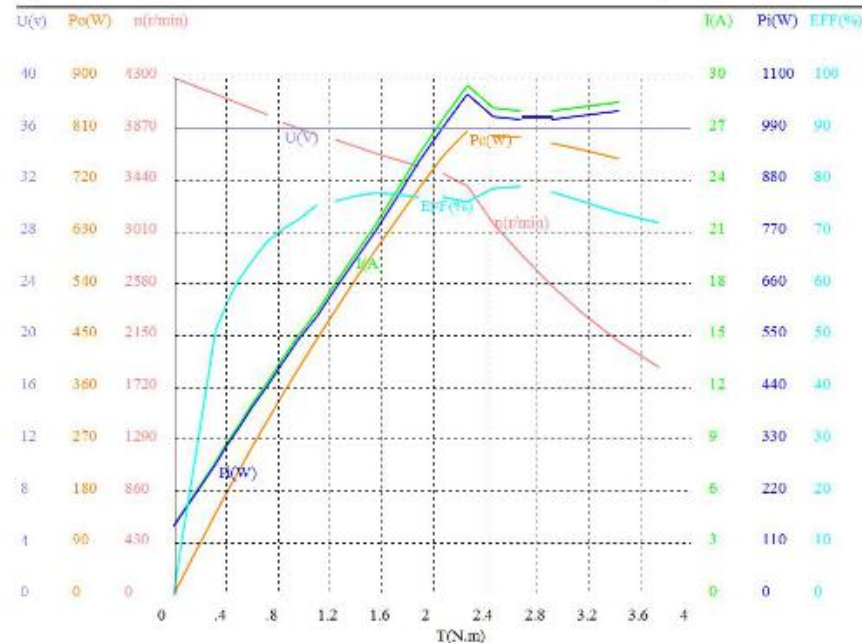
Test Report

Sample name: DC.MOTOR
 Model: BM1109-36V800W
 Ambient temperature: 20.0°C -20.1°C
 Report No.: M18030550B1-2

Production Factory: Wenzhou Yalu Electric Co.,Ltd
 Other information:
 Use instruments: Hysteresis dynamometerHD-75KB/B

Sample No.: M18030550
 Motor direction: Clockwise
 (CW) test person: QE008
 Auditor: QE018

Power parameter: 36V



NO.	n(r/min)	T(N.m)	Po(W)	U(V)	I(A)	Pi(W)	EFF
1	4290.8	0.0000	0.0000	36.039	4.0232	144.99	0.00%
2	4154.1	0.3279	142.62	36.037	7.7278	278.19	51.21%
3	4118.6	0.4098	176.73	36.037	8.7614	315.74	55.97%
4	4078.0	0.5041	215.24	36.036	9.8197	353.86	60.83%
5	4032.6	0.6091	257.19	36.035	11.078	399.19	64.43%
6	3984.9	0.7242	302.17	36.032	12.297	443.08	68.20%
7	3937.0	0.8445	348.16	36.033	13.688	493.23	70.59%
8	3887.1	0.9710	395.24	36.031	15.125	544.98	72.52%
9	3831.5	1.1079	444.49	36.029	16.396	590.73	75.24%
10	3777.4	1.2504	494.59	36.028	18.059	650.64	76.02%
11	3724.2	1.4014	546.52	36.030	19.710	710.14	76.96%
12	3666.7	1.5593	598.69	36.027	21.423	771.81	77.57%
13	3611.5	1.7208	650.77	36.029	23.361	841.68	77.32%
14	3556.0	1.8954	705.76	36.030	25.524	919.61	76.75%
15	3500.0	2.0778	761.49	36.031	27.515	991.41	76.81%
16	3394.3	2.2679	806.06	36.029	29.500	1062.9	75.84%
17	3081.1	2.4691	796.60	36.016	28.188	1015.2	78.47%
18	2830.4	2.6827	795.07	36.017	28.010	1008.8	78.81%
19	2570.2	2.9157	784.71	36.019	28.008	1008.8	77.78%
20	2327.8	3.1695	772.56	36.020	28.261	1018.0	75.89%
21	2102.8	3.4395	757.33	36.023	28.522	1027.4	73.71%
22	1890.9	3.7474	741.97	36.023	28.695	1033.7	71.78%

Feature points	n(r/min)	T(N.m)	Po(W)	U(V)	I(A)	Pi(W)	EFF
Unload point	4290.8	0.0000	0.0000	36.039	4.0232	144.99	0.00%
Max. Power	2830.4	2.6827	795.07	36.017	28.010	1008.8	78.81%
Max. Output	3394.3	2.2679	806.06	36.029	29.500	1062.9	75.84%
Max. Torque	1890.9	3.7474	741.97	36.023	28.695	1033.7	71.78%
Blocking point							
Rated point 1							
Rated point2							
Rated point3							
Rated point4							
Rated point5							

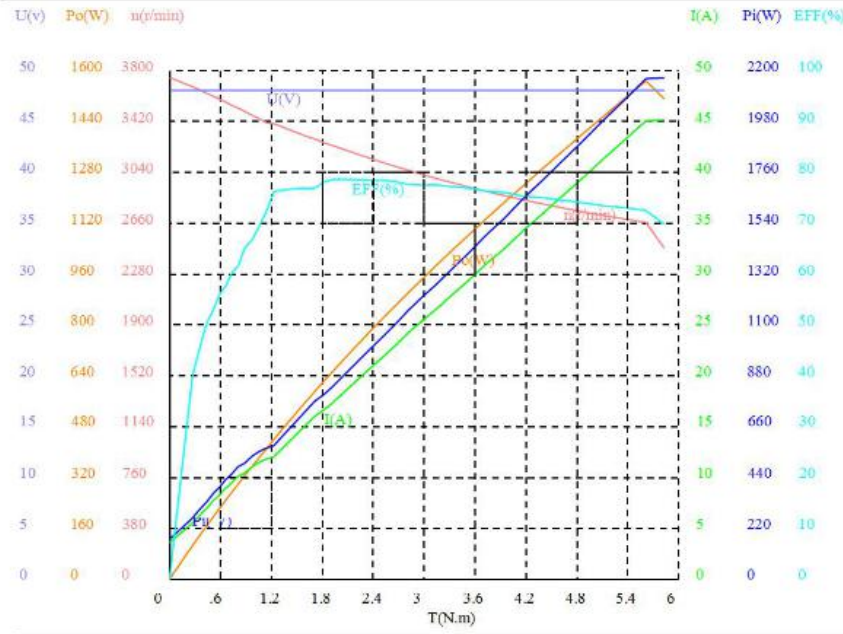
Note: 20180314100748

Test Report

Sample name: DC.MOTOR
 Model: BM1109-48V1200W
 Ambient temperature: 22.3°C - 22.2°C
 Report No.: M17120633B1

Production Factory: Wenzhou Yalu Electric Co.,Ltd
 Other information:
 Use instruments: Hysteresis dynamometerHD-75KB/B
 Production Factory: Wenzhou Yalu Electric Co.,Ltd
 Power parameter: 36V

Sample No.: M17120633
 Motor direction: Clockwise
 (CW) test person: QE008
 Auditor:QE018



NO.	n(r/min)	T(N.m)	Po(W)	U(V)	I(A)	Pi(W)	EFF
1	3745.6	0.0000	0.0000	48.059	3.5559	170.89	0.00%
2	3659.8	0.3296	126.32	48.055	6.0080	288.71	43.75%
3	3623.8	0.4526	171.74	48.053	7.0460	338.58	50.72%
4	3584.6	0.5874	220.49	48.052	8.2176	394.87	55.84%
5	3537.4	0.7346	272.09	48.054	9.4222	452.78	60.09%
6	3491.2	0.8917	326.00	48.050	10.418	500.57	65.12%
7	3438.8	1.0592	381.39	48.048	11.455	550.40	69.29%
8	3400.4	1.2319	438.62	48.046	11.992	576.16	76.13%
9	3354.3	1.4151	497.02	48.044	13.513	649.24	76.55%
10	3306.2	1.6149	559.07	48.043	15.165	728.58	76.73%
11	3260.7	1.8150	619.68	48.041	16.543	794.76	77.97%
12	3211.3	2.0367	684.85	48.040	18.157	872.27	78.51%
13	3161.0	2.2698	751.28	48.039	19.943	958.04	78.42%
14	3107.9	2.5297	823.25	48.038	21.879	1051.0	78.33%
15	3051.5	2.8180	900.42	48.036	24.176	1161.3	77.53%
16	2991.1	3.1493	986.36	48.038	26.517	1273.8	77.43%
17	2926.0	3.5334	1082.6	48.037	29.360	1410.4	76.76%
18	2862.6	3.9527	1184.8	48.038	32.461	1559.3	75.98%
19	2800.5	4.4038	1291.4	48.036	35.900	1724.5	74.88%
20	2741.6	4.8835	1402.0	48.039	39.461	1895.7	73.96%
21	2687.4	5.3744	1512.4	48.039	43.155	2073.1	72.95%
22	2471.4	5.8354	1510.1	48.036	45.106	2166.7	69.70%

Feature points	n(r/min)	T(N.m)	Po(W)	U(V)	I(A)	Pi(W)	EFF
Unload point	3745.6	0.0000	0.0000	48.059	3.5559	170.89	0.00%
Max. Power	3211.3	2.0367	684.85	48.040	18.157	872.27	78.51%
Max. Output	2661.6	5.6191	1566.1	48.044	45.015	2162.7	72.41%
Max. Torque	2471.4	5.8354	1510.1	48.036	45.106	2166.7	69.70%
Blocking point							
Rated point 1							
Rated point2							
Rated point3							
Rated point4							
Rated point5							

Note 20171223104325

Test Report for 1500W 48V:

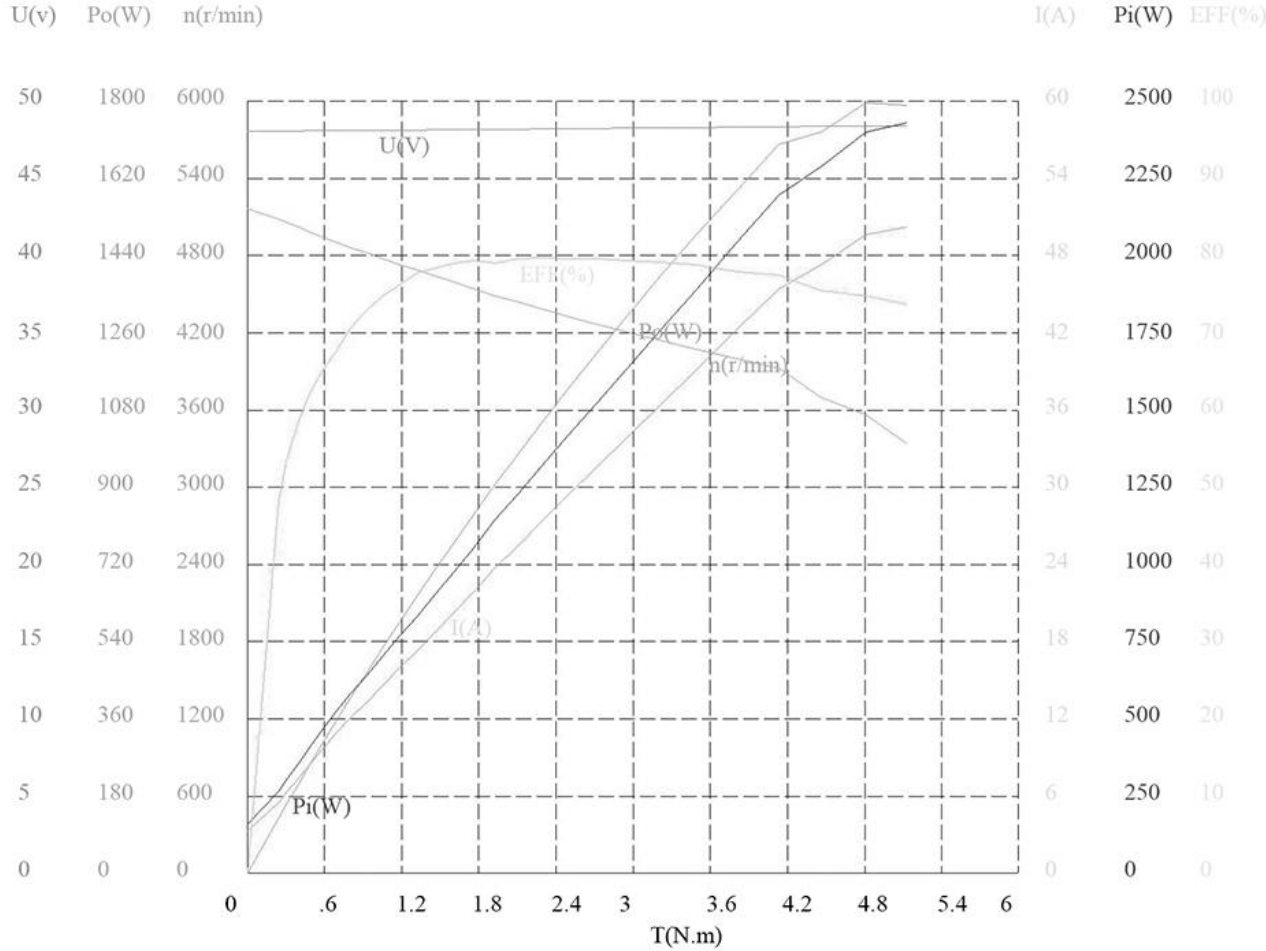
测试报告

试品名称: DC MOTOR
 试品型号: JS. 48-1500
 环境温度: 24.4℃ - 24.5℃
 报告编号: M17070811B1

生产厂家:
 其它信息: 电容器 450V/4uF
 使用仪器: 磁滞测功机 HD-75KB/B
 电源参数: 48V

样机编号: M17070810=1
 电机转向: 顺时针 (CW)

since 1968
 R/LINIX 212.1.8



NO.	n(r/min)	T(N.m)	Po(W)	U(V)	I(A)	Pi(W)	EFF
1	5167.2	0.0000	0.0000	48.056	3.2895	158.08	0.00%
2	5084.1	0.2407	128.14	48.074	5.5231	265.52	48.26%
3	5056.6	0.3129	165.69	48.077	6.3886	307.15	53.94%
4	5022.4	0.3952	207.84	48.084	7.3942	355.54	58.46%
5	4985.9	0.4855	253.47	48.092	8.4692	407.30	62.23%
6	4947.7	0.5863	303.75	48.100	9.6854	465.86	65.20%
7	4906.6	0.6926	355.84	48.108	10.924	525.53	67.71%
8	4865.1	0.8023	408.72	48.116	12.048	579.71	70.50%
9	4820.8	0.9248	466.85	48.125	13.299	640.01	72.94%
10	4776.2	1.0519	526.09	48.135	14.619	703.67	74.76%
11	4732.0	1.1847	587.03	48.144	15.991	769.85	76.25%
12	4686.1	1.3212	648.29	48.153	17.303	833.16	77.81%
13	4640.3	1.4602	709.48	48.164	18.790	904.99	78.40%
14	4592.2	1.6064	772.48	48.173	20.284	977.13	79.06%
15	4543.3	1.7623	838.41	48.186	21.921	1056.3	79.37%
16	4491.7	1.9262	905.96	48.196	23.758	1145.1	79.12%
17	4440.7	2.1029	977.86	48.209	25.484	1228.5	79.59%
18	4387.4	2.2862	1050.3	48.222	27.334	1318.1	79.68%
19	4329.7	2.4919	1129.8	48.237	29.410	1418.6	79.64%
20	4269.6	2.7121	1212.5	48.252	31.541	1521.9	79.67%
21	4205.5	2.9517	1299.8	48.269	33.910	1636.8	79.41%
22	4139.6	3.2150	1393.6	48.289	36.468	1761.0	79.14%
23	4074.5	3.4893	1488.7	48.308	39.116	1889.6	78.79%
24	4000.2	3.8021	1592.6	48.331	42.285	2043.7	77.93%
25	3928.2	4.1358	1701.2	48.355	45.427	2196.6	77.45%
26	3696.9	4.4643	1728.2	48.368	47.314	2288.5	75.52%
27	3565.0	4.8118	1796.2	48.386	49.618	2400.8	74.82%
28	3334.9	5.1298	1791.3	48.392	50.243	2431.3	73.68%

特征点	n(r/min)	T(N.m)	Po(W)	U(V)	I(A)	Pi(W)	EFF
空载点	5167.2	0.0000	0.0000	48.056	3.2895	158.08	0.00%
最大效率	4387.4	2.2862	1050.3	48.222	27.334	1318.1	79.68%
最大输出	3565.0	4.8118	1796.2	48.386	49.618	2400.8	74.82%
最大转矩	3334.9	5.1298	1791.3	48.392	50.243	2431.3	73.68%
堵转点							
额定点 1							
额定点 2							
额定点 3							
额定点 4							
额定点 5							

Test Report for 2000W 60V:

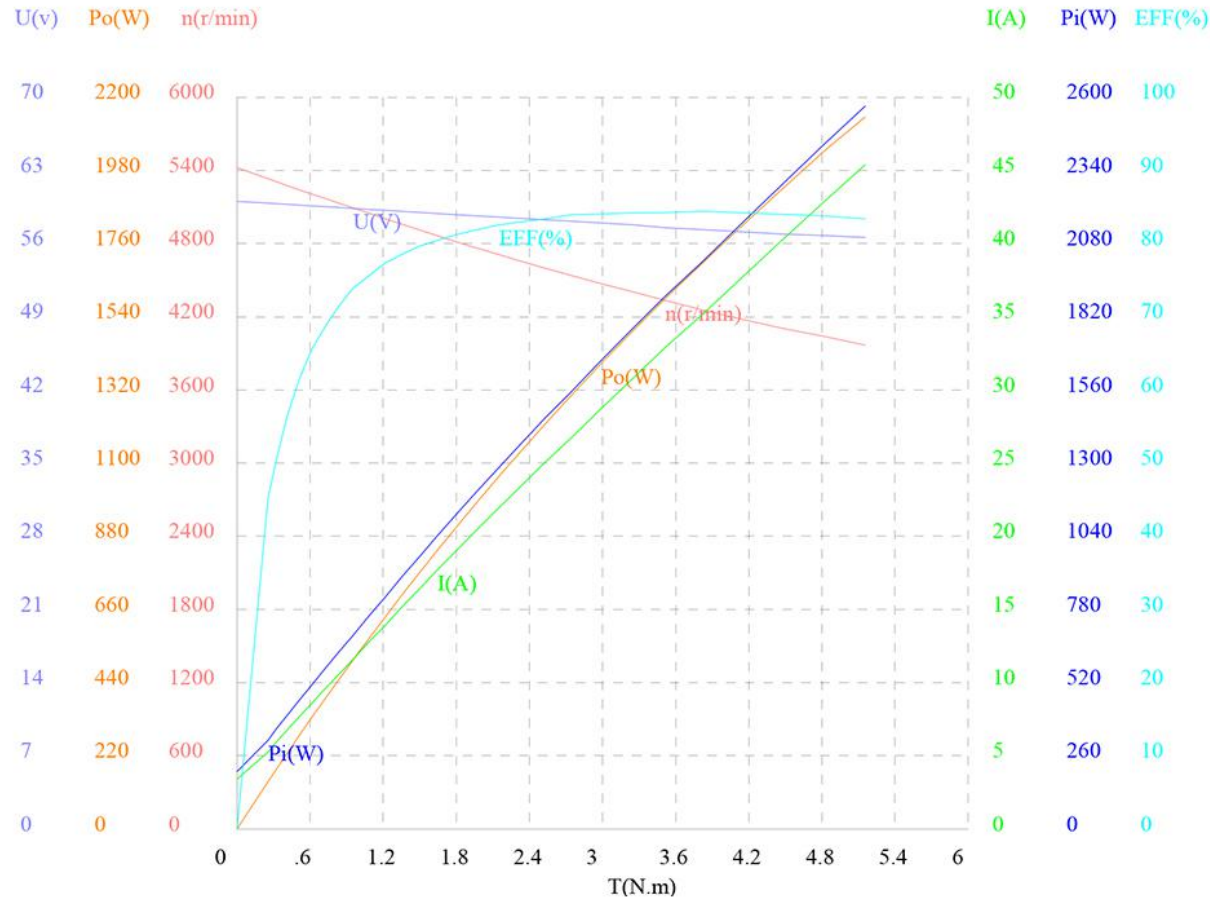
测试报告

试品名称: DC MOTOR
 试品型号: JS.60-2000
 环境温度: 24.8°C - 24.8°C
 报告编号: M17070810B1-2

生产厂家:
 其它信息:
 使用仪器: 磁滞测功机HD-75KB/B
 电源参数: 58V

样机编号: M17070810
 电机转向: 顺时针 (CW)

since 1968
 R/LINIX 212.1.8



NO.	n(r/min)	T(N.m)	Po(W)	U(V)	I(A)	Pi(W)	EFF
1	5423.2	0.0000	0.0000	60.027	3.3998	204.08	0.00%
2	5332.7	0.2546	142.19	59.874	5.2527	314.50	45.21%
3	5305.1	0.3301	183.35	59.817	6.0172	359.93	50.94%
4	5273.4	0.4158	229.59	59.753	6.7860	405.49	56.62%
5	5240.9	0.5116	280.73	59.684	7.6576	457.04	61.43%
6	5206.0	0.6160	335.81	59.607	8.5894	511.98	65.59%
7	5169.4	0.7239	391.85	59.527	9.5848	570.55	68.68%
8	5132.1	0.8345	448.47	59.449	10.562	627.91	71.42%
9	5093.1	0.9534	508.45	59.365	11.588	687.95	73.91%
10	5050.5	1.0793	570.81	59.273	12.747	755.53	75.55%
11	5005.4	1.2137	636.15	59.181	13.901	822.69	77.33%
12	4959.9	1.3541	703.26	59.079	15.157	895.48	78.53%
13	4912.8	1.4942	768.66	58.979	16.370	965.48	79.62%
14	4864.8	1.6444	837.65	58.873	17.691	1041.5	80.43%
15	4813.2	1.8039	909.19	58.763	19.042	1119.0	81.25%
16	4762.4	1.9720	983.37	58.649	20.475	1200.8	81.89%
17	4709.7	2.1498	1060.2	58.530	21.943	1284.3	82.55%
18	4654.5	2.3331	1137.1	58.407	23.457	1370.0	83.00%
19	4598.2	2.5312	1218.7	58.273	25.085	1461.8	83.37%
20	4539.0	2.7441	1304.2	58.136	26.724	1553.6	83.95%
21	4473.4	2.9842	1397.9	57.969	28.693	1663.3	84.04%
22	4405.9	3.2383	1494.0	57.792	30.708	1774.7	84.18%
23	4333.5	3.5135	1594.3	57.521	32.898	1892.3	84.25%
24	4254.4	3.8199	1701.7	57.325	35.166	2015.9	84.42%
25	4179.5	4.1416	1812.6	57.121	37.673	2151.9	84.23%
26	4104.9	4.4795	1925.4	56.910	40.281	2292.4	83.99%
27	4038.8	4.8223	2039.4	56.759	42.895	2434.6	83.76%
28	3967.0	5.1545	2141.2	56.578	45.396	2568.4	83.37%

特征点	n(r/min)	T(N.m)	Po(W)	U(V)	I(A)	Pi(W)	EFF
空载点	5423.2	0.0000	0.0000	60.027	3.3998	204.08	0.00%
最大效率	4254.4	3.8199	1701.7	57.325	35.166	2015.9	84.42%
最大输出	3967.0	5.1545	2141.2	56.578	45.396	2568.4	83.37%
最大转矩	3967.0	5.1545	2141.2	56.578	45.396	2568.4	83.37%
堵转点							
额定点1							
额定点2							
额定点3							
额定点4							
额定点5							