

Product details of diymore DC 5V/12V 4 Channel Bluetooth Relay Board Module Internet of

Things Smart Home Mobile APP Remote Switch Relay Module

- Brand Name : diymore Origin : CN(Origin) Condition : New Type : Voltage Regulator  
Application : Computer Package : SMD is\_customized : Yes

## Features:

- 1: Widely used
- 2: Stable performance
- 3: Provide Bluetooth relay control APP
- 4: Control distance: 30M (open environment)
- 5: The operation is simple and easy to understand

## Description:

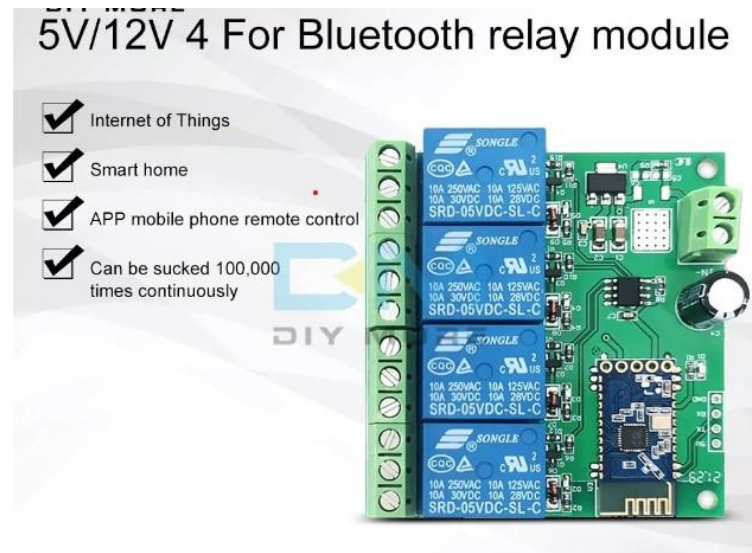
The 5V/12V 4-channel Bluetooth relay module includes 4-channel 5V/10A relay module and JDY-31 Bluetooth module, which can control the switch of the relay by sending follow-up commands through the mobile phone APP.

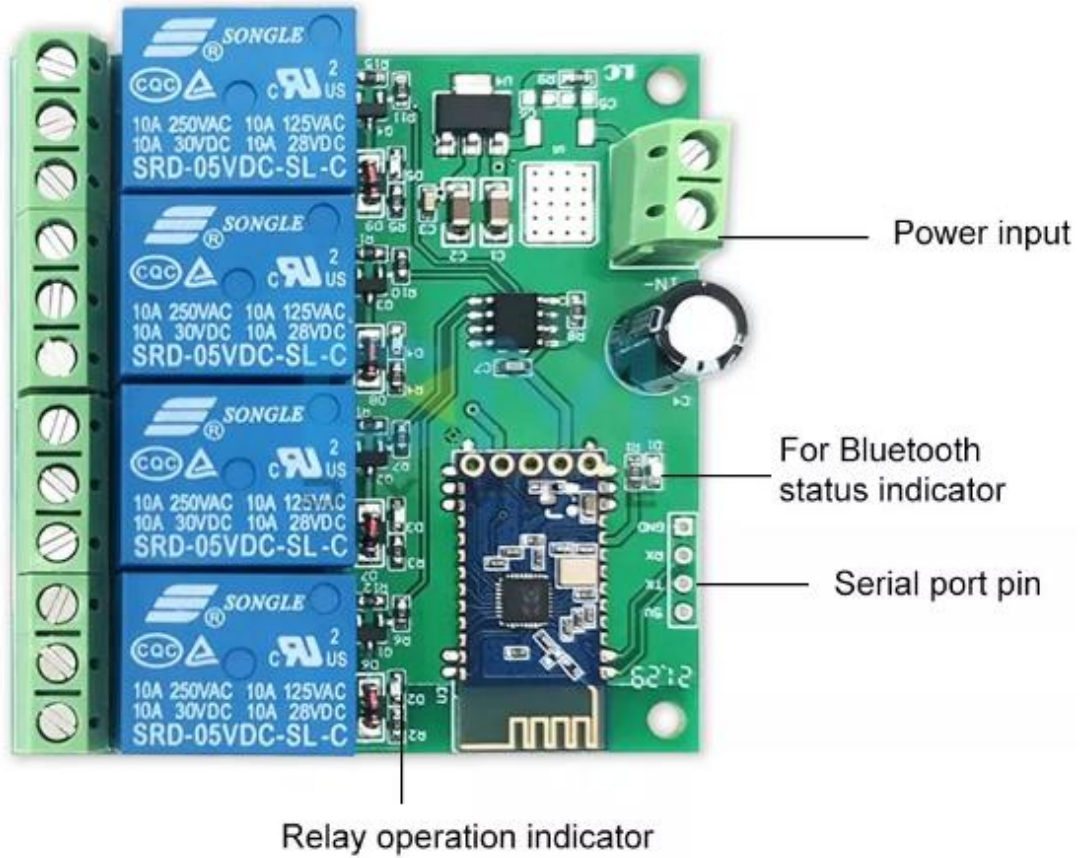
## Function:

1. Onboard JDY-31 Bluetooth module, supporting SPP protocol;
2. Provide Bluetooth relay control APP;
3. Control distance: 30M (open environment);
4. Working voltage: DC5V;
5. There are 4 onboard 5V, 10A/250V AC 10A/30V DC relays, which can be activated continuously for 100,000 times, With diode effusion protection, short response time;
6. Onboard Bluetooth status indicator and relay indicator;
7. Reserve UART debugging interface.
8. Board size: 60\*62.7mm weight: 56g

## Package Included:

1\* Relay Module





The onboard JDY-31 For Bluetooth module supports SPP protocol and provides For Bluetooth relay control APP control distance in open environment  $\leq 30M$



## instructions

1. Connect the power supply: N+ and N- of the module are connected to the positive and negative poles of the 5V power supply respectively.
2. Use APP to control 4 relays. There are 2 APPs to choose from: for Bluetooth relay dedicated APP, and the other is a general APP downloaded from Android App Store
  - 2.1, Instructions for using dedicated APP for Bluetooth relay
    - 2.1.1. Install the "LCBS test program" APP, for Bluetooth serial port transmission tool on the Android mobile phone, open the APP, click "Search for Bluetooth", the mobile phone connects to the for Bluetooth module, enter the password and click to confirm. After the connection is successful, the blue light flashes slowly Change to constant light, and then click the square to control the switch of the relay.



5V



12V



Power input

For Bluetooth status indicator

Serial port pin

Relay operation indicator