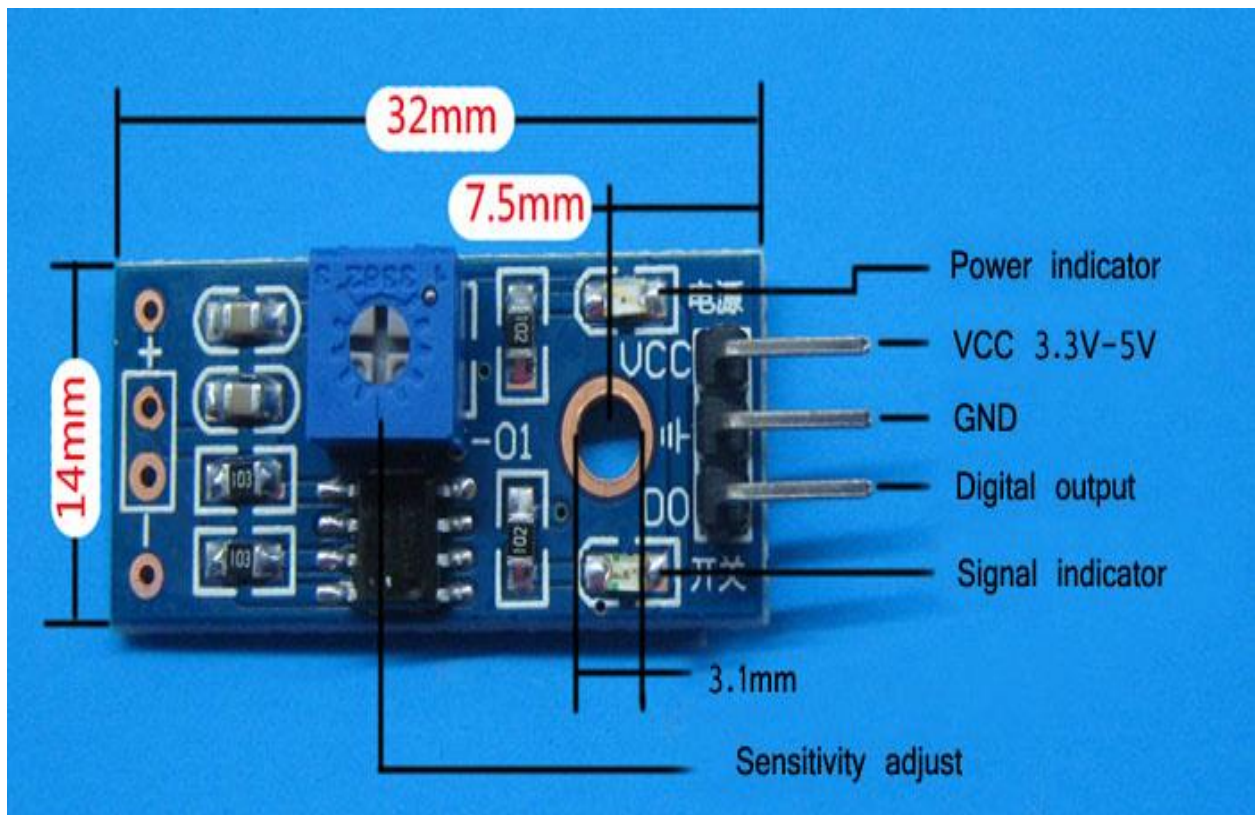
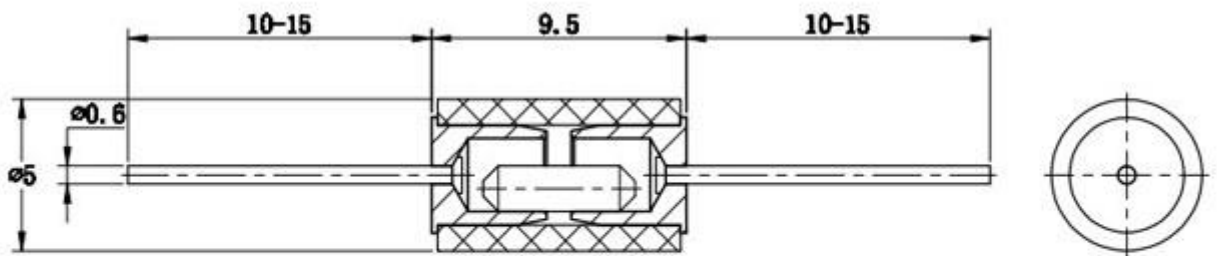
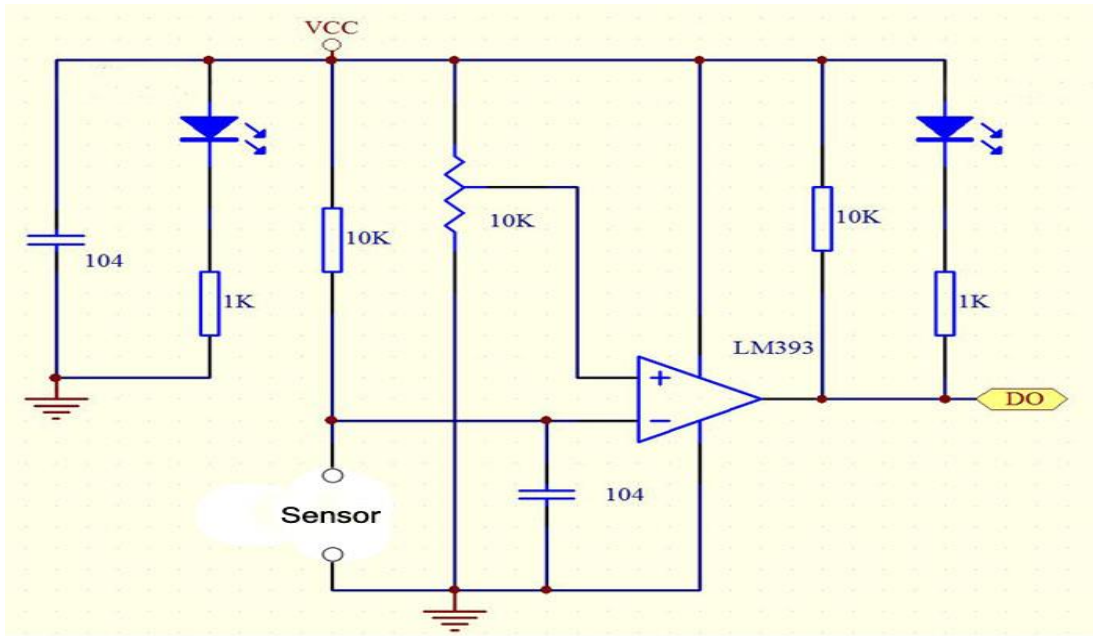
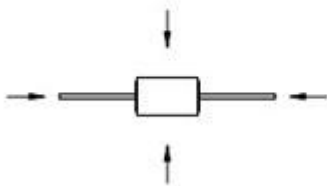


# SW-420 Circuit Diagram:





Omni-sensing various directions of vibration



360 Degree tilt sensing

