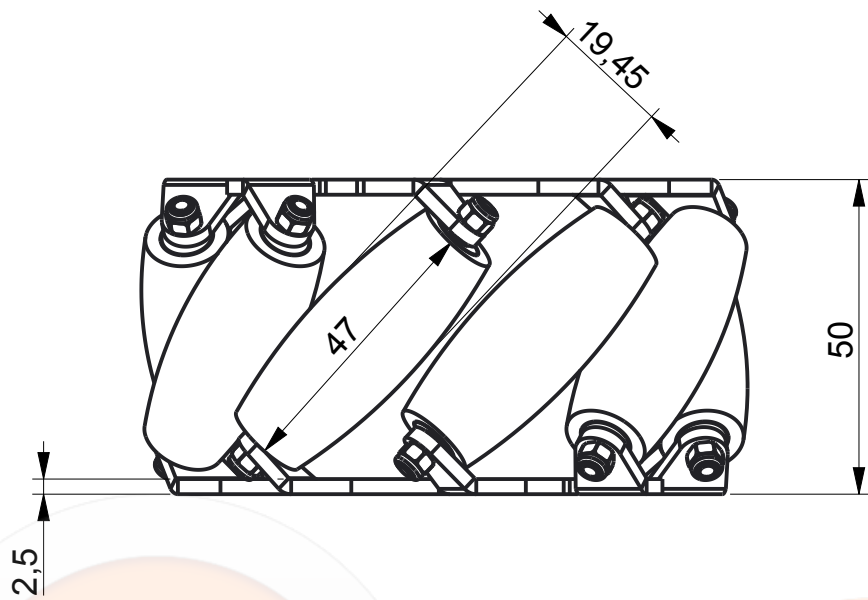


NOTE-DEPENDING ON THE MANUFACTURER GIVEN DIMENSIONS MAY VARY IN THE RANGE OF $\pm 5\%$

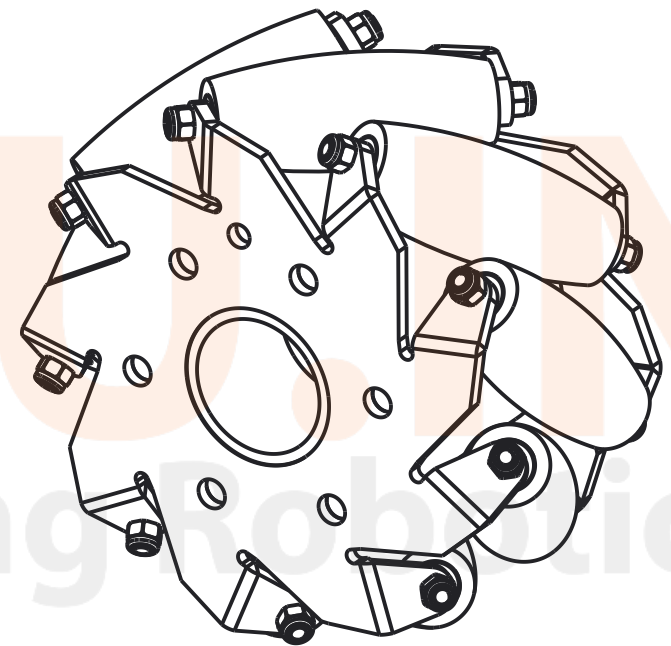


$\varnothing 100$



$\varnothing 18$

6 HOLES, $\varnothing 5,2$ PCD 47.5



TITLE-100 MM MECANUM WHEEL LEFT

PART NO.

ROBU.IN

SCALE-1:1

DATE-

ALL DIMENSIONS ARE IN MM