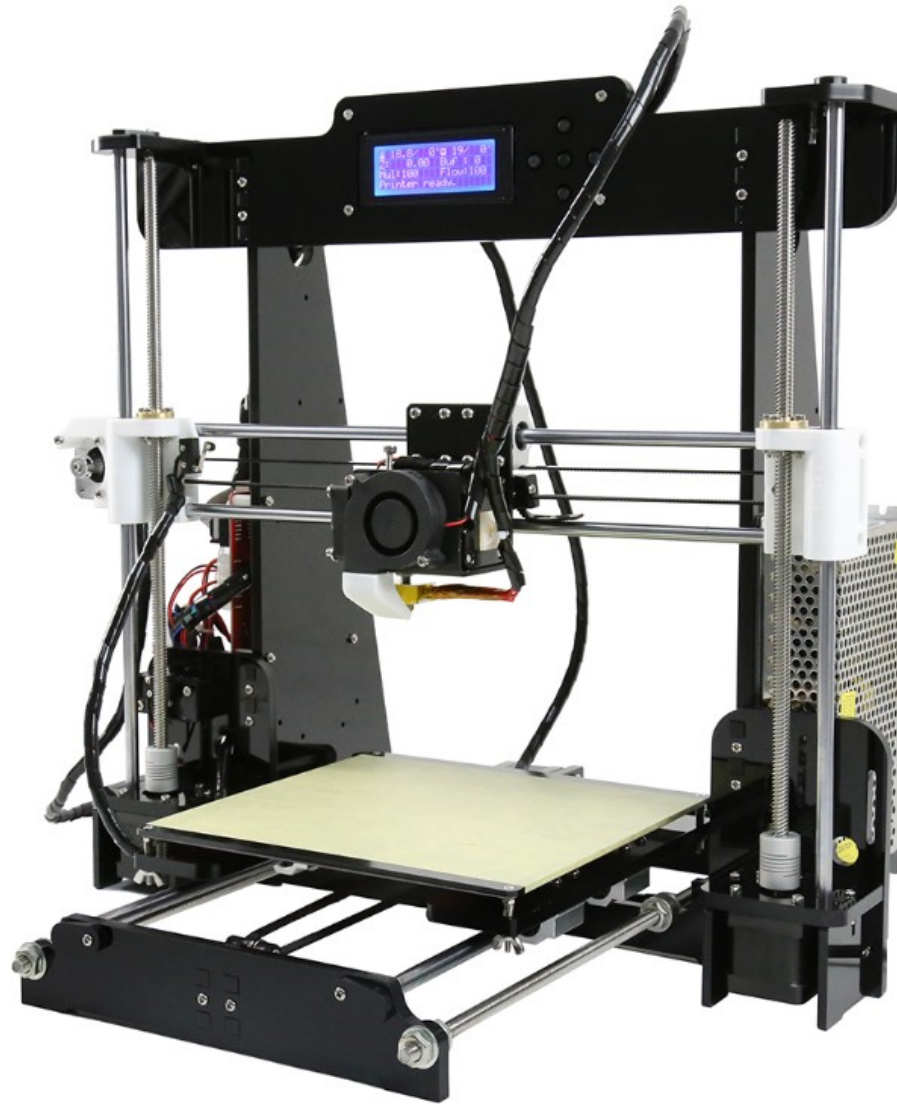


A8 3D Printer Installation Guide



A8 Assembly Instructions

Attention:

- 1. Please make sure the package not broken when you receive it.**
- 2. Please check the printer parts according to the packing list.**
- 3. Please contact your supplier if any questions.**

A8 assembly parts list 1















3D Printer A8 assembly parts list

| Item | Material number | Picture | Name | QTY | Item | Material number | Picture | Name | QTY |
|------|-----------------|---|------------------------------|-----|------|-----------------|---|--------------------------|-----|
| 1-1 | 1700100001 |  | Hot bed fixed aluminum plate | 1 | 2-1 | 1700200004 |  | Mainboard | 1 |
| 1-2 | 1700200001 |  | 220mm*220mm*3mm Hot bed | 1 | 2-2 | 1700300005 |  | Left Z axis nut support | 1 |
| 1-3 | 1101900001 |  | Plastic nippers | 1 | 2-3 | 1700300006 |  | Right Z axis nut support | 1 |
| 1-4 | |  | 1.5M Power line | 1 | 2-4 | 1300300001 |  | Wind mouth | 1 |
| 1-5 | 1101900008 |  | 5mm*160mm Screwdriver | 1 | 2-5 | 1700300001 |  | 1.7M Belt | 1 |
| 1-6 | 1700200002 |  | Four parts below in this bag | 1 | 2-6 | 1202200007 |  | 1.5M wire | 1 |















A8 assembly parts list 2

| Item | Material number | Picture | Name | QTY | Item | Material number | Picture | Name | QTY |
|-------|-----------------|---|------------------------------------|-----|-------|-----------------|---|---------------------------------|-----|
| 1-6-1 | 1700200003 |  | 40*10 Fan | 1 | 2-7 | 1700200005 |  | 5015 Air blower | 1 |
| 1-6-2 | 1101200002 |  | 40*11 Cooling fin | 1 | 2-8 | 1700300002 |  | Y axis belt bearing support | 1 |
| 1-6-3 | 1101700001 |  | Fan cover | 1 | 2-9 | 1700300003 |  | Five parts below in this bag | 1 |
| 1-6-4 | 1700100003 |  | M3*45 Screw 2pcs M3 Spacer 8pcs | 1 | 2-9-1 | 1300100009 |  | Z axis Limit switch fixed plate | 2 |
| 1-7 | 1700100004 |  | Screw bag include below screws | 1 | 2-9-2 | 1300100004 |  | Y axis motor support | 1 |
| 1-7-1 | 1700100005 |  | M3*18 screw 50pcs | 1 | 2-9-3 | 1300100007 |  | Y axis Limit switch fixed plate | 1 |
| 1-7-2 | 1700100006 |  | M3 Nut 64pcs | 1 | 2-9-4 | 1300100005 |  | Y axis belt fixation clamp | 2 |











A8 assembly parts list 3

| Item | Material number | Picture | Name | QTY | Item | Material number | Picture | Name | QTY |
|-------|-----------------|---|---|-----|-------|-----------------|---|---|-----|
| 1-7-3 | 1700100007 |  | M8 Nut 16pcs M8 Spacer 12pcs | 1 | 2-9-5 | 1300100010 |  | Guide rod back up plate | 6 |
| 1-7-4 | 1700100008 |  | M4*8 screw 16pcs M4*14 screw 16pcs | 1 | 2-10 | 1300100020 |  | Side support plate | 2 |
| 1-7-5 | 1700100009 |  | M3*30 screw 14pcs | 1 | 2-11 | 1300100012 |  | Filament support plate | 2 |
| 1-7-6 | 1700100010 |  | M3*12 screw 15pcs | 1 | 2-12 | 1300100013 |  | Filament support plate connecting plate | 2 |
| 1-7-7 | 1700100011 |  | M2*12 screw 2pcs wing nut 4pcs Spring 4pcs | 1 | 2-13 | 1300100014 |  | Screen baffle plate | 1 |
| 1-7-8 | 1700100012 |  | M3*20 screw 4pcs M2.3*10screw 2pcs M3*25 screw 2pcs | 1 | 2-14 | 1300100008 |  | Z axis motor support Plate | 4 |
| 1-8 | 1700200006 |  | Three parts below in this bag | 1 | 2-15 | 1700200007 |  | 8GB TF card and card reader | 1 |







A8 assembly parts list 4

| Item | Picture | Name | QTY | Check | Item | Picture | Name | QTY | Check |
|-------|---|--|-----|-------|------|---|--------------------------|-----|-------|
| 1-8-1 |  | Wire 70CM | 1 | | 3-1 |  | Bottom support plate | 1 | |
| 1-8-2 |  | Z axis Limit switch A 20CM X axis Limit switch B 55CM Y axis Limit switch C 70CM | 3 | | 3-2 |  | Top support plate | 1 | |
| 1-8-3 |  | Pillar washer M3*7 4pcs Pillar washer M3*15 4pcs | 8 | | 3-3 |  | Back plate | 1 | |
| 1-9 |  | Three parts below in this bag | 1 | | 3-4 |  | Front plate | 1 | |
| 1-9-1 |  | 3mm*130mm Screwdriver | 1 | | 3-5 |  | Support plate lock plate | 2 | |
| 1-9-2 |  | Hex wrench M1.5 Hex wrench M2 Hex wrench M2.5 Hex wrench M3 | 4 | | 3-6 |  | Z axis motor fixed plate | 2 | |
| 1-9-3 |  | Open spanner | 1 | | 3-7 |  | Y axis motor fixed plate | 1 | |

A8 assembly parts list 5

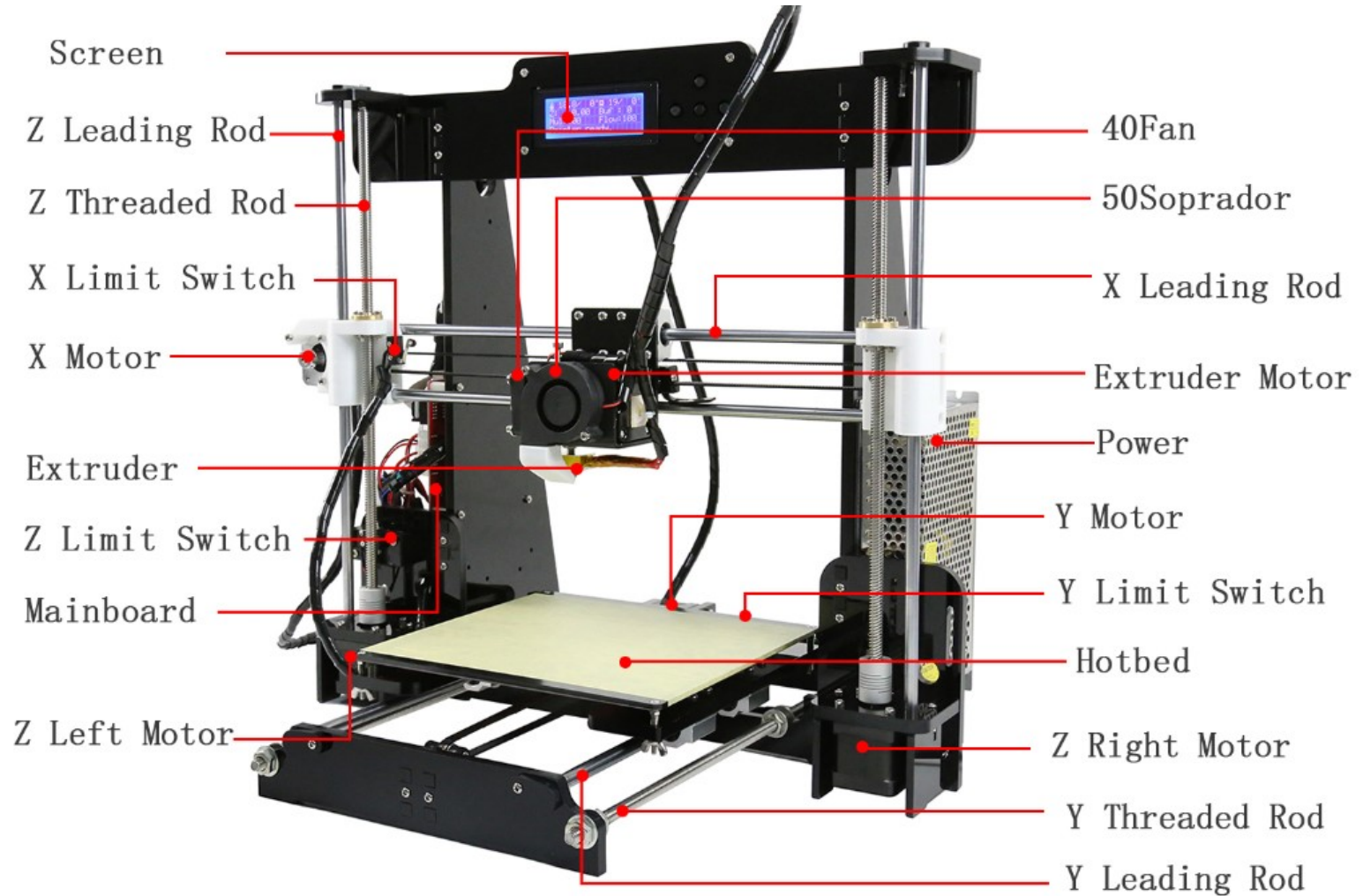
| Item | Picture | Name | QTY | Check | Item | Picture | Name | QTY | Check |
|--------|---|------------------------------|-----|-------|------|---|----------------|-----|-------|
| 1-10 |  | Four parts below in this bag | 1 | | 3-8 |  | Extruder | 1 | |
| 1-10-1 |  | 4.5M Winding pipe | 1 | | 3-9 |  | X axis motor | 1 | |
| 1-10-2 |  | Belting | 10 | | 3-10 |  | Y axis motor | 1 | |
| 1-10-3 |  | R clip | 3 | | 3-11 |  | Z axis motor | 2 | |
| 1-10-4 |  | Locating piece | 2 | | 3-12 |  | Linear bearing | 7 | |

A8 assembly parts list 6

| Item | Picture | Name | QTY | Check | Item | Picture | Name | QTY | Check |
|------|---|---|-----|-------|------|---|---|-----|-------|
| 1-11 |  | LCD 2004 screen | 1 | | 3-13 |  | Guide rod 436mm 2pcs Guide rod 380mm 4pcs | 6 | |
| 1-12 |  | X Motor line 40CM Y Motor line 40CM Left Z Motor line 40CM Right Z Motor line 90CM Extruder Motor line 90CM | 5 | | 3-14 |  | T type lead screw M8*345mm 2pcs Threaded rod M8*400mm 2pcs Threaded rod M8*150mm 1pcs | 5 | |
| 1-13 |  | Heat bed line 90CM | 1 | | 3-15 |  | Power Supply | 1 | |

Please check printer parts quantity when you receive it .

Name of each printer part



Assembly Step 1

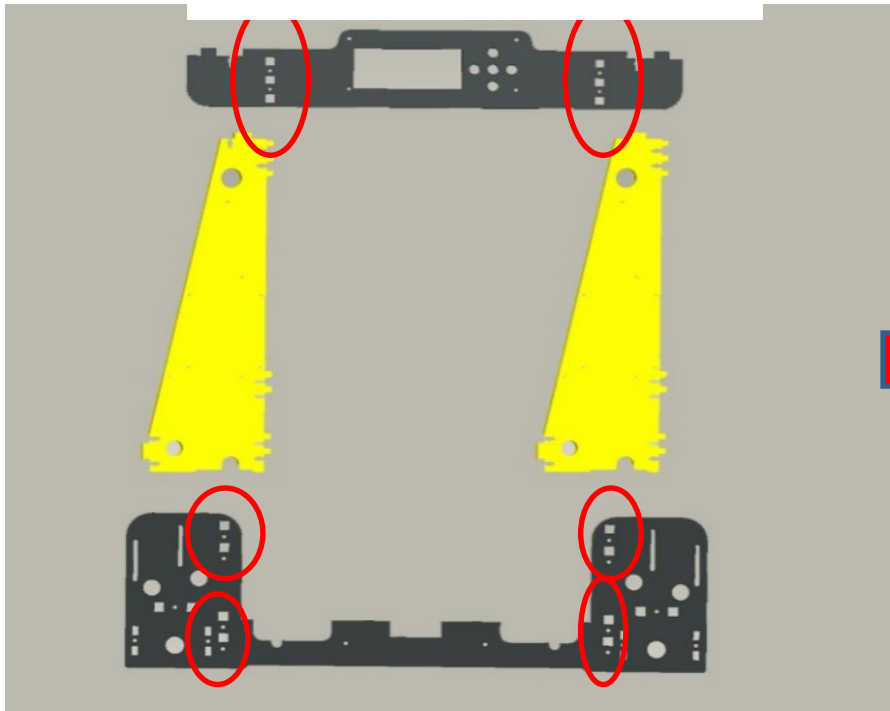
Please be aware the screw holes is in red circles

Name and Qty. of printer parts

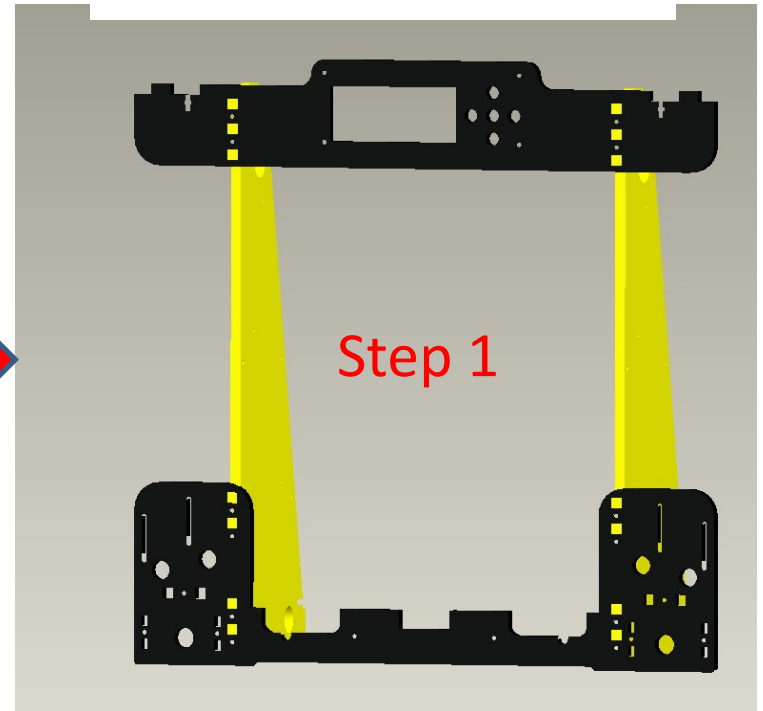
| Item | Name of parts | QTY. |
|------|----------------------|------|
| 1 | Bottom support plate | 1 |
| 2 | Top support plate | 1 |
| 3 | Side support plate | 2 |
| 4 | M3*18 Screw | 12 |
| 5 | M3 Nut | 12 |



Before Assembly



After Assembly



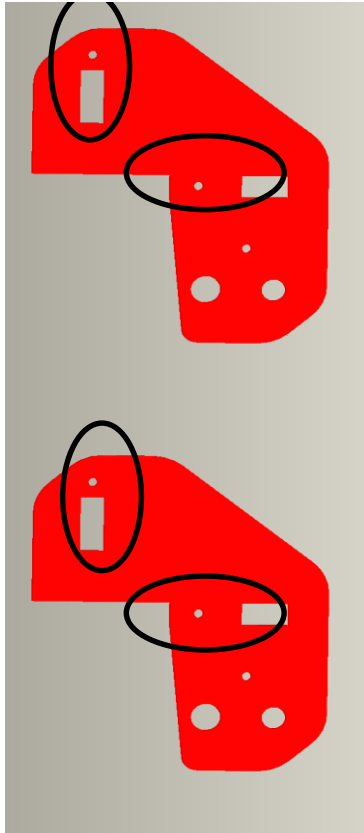
Assembly Step 2

Please be aware the screw holes is in black circles

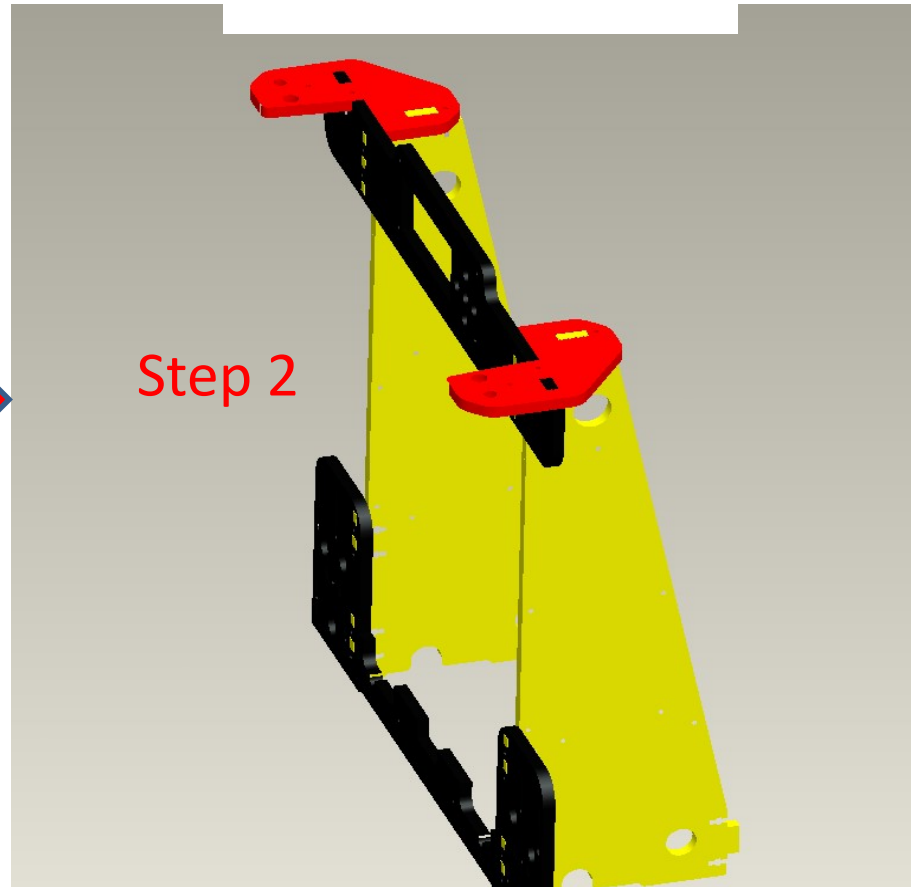


| Name and Qty. of printer parts | | |
|--------------------------------|--------------------------|------|
| Item | Name of parts | QTY. |
| 1 | Step 1 | 1 |
| 2 | Support plate lock plate | 2 |
| 3 | M3*18 Screw | 4 |
| 4 | M3 Nut | 4 |

Before Assembly



After Assembly

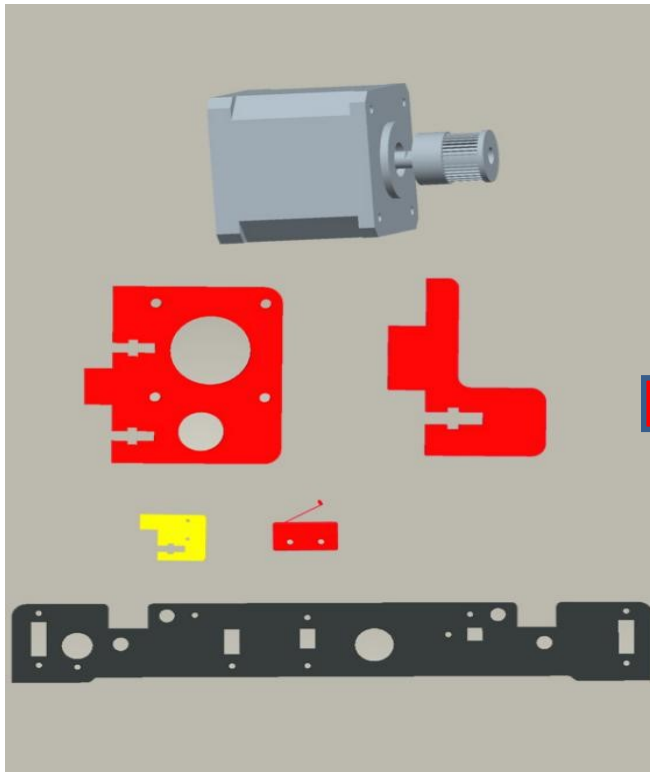


Assembly Step 3

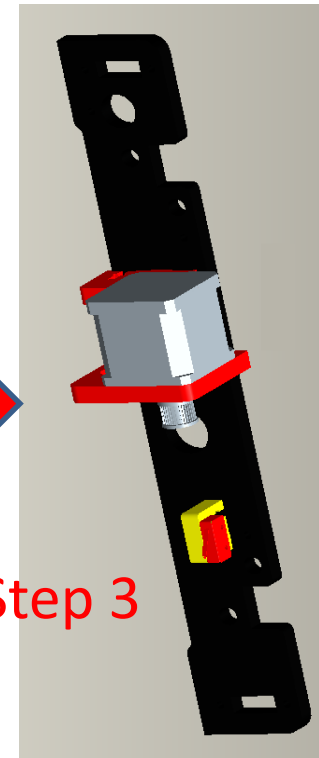
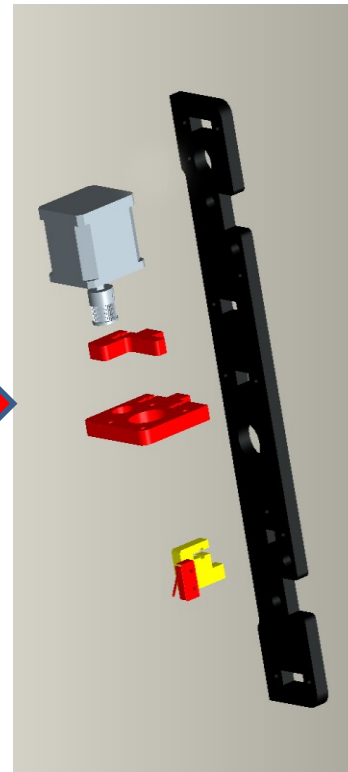


| Name and Qty. of printer parts | | |
|--------------------------------|---------------------------------|------|
| Item | Name of parts | QTY. |
| 1 | Back plate | 1 |
| 2 | Y axis motor | 1 |
| 3 | Y axis motor support | 1 |
| 4 | Y axis motor fixed plate | 1 |
| 5 | Y axis Limit switch fixed plate | 1 |
| 6 | Y axis Limit switch C 70CM | 1 |
| 7 | M3*12 screw | 4 |
| 8 | M2*12 screw | 2 |
| 9 | M3*18 screw | 4 |
| 10 | M3 Nut | 4 |

Before Assembly



After Assembly



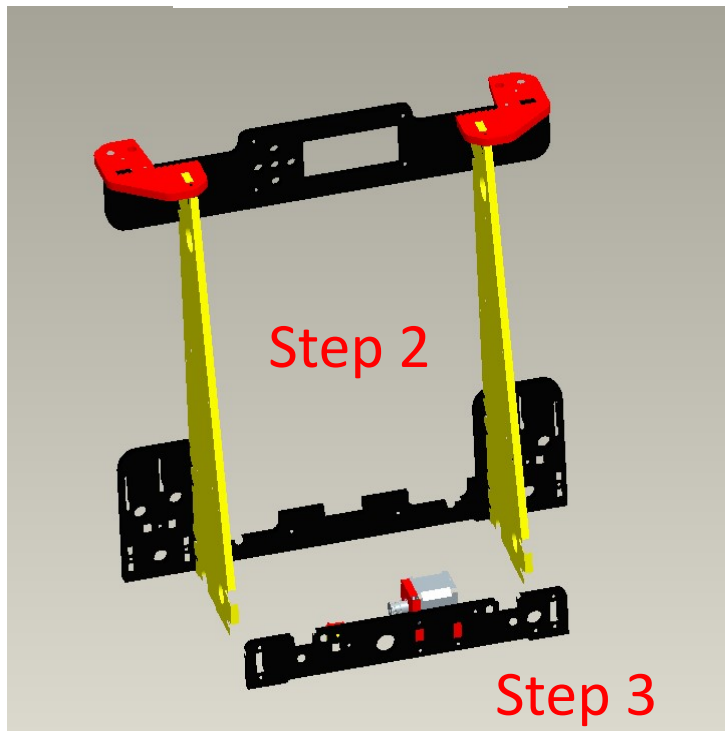
Step 3

Assembly Step 4

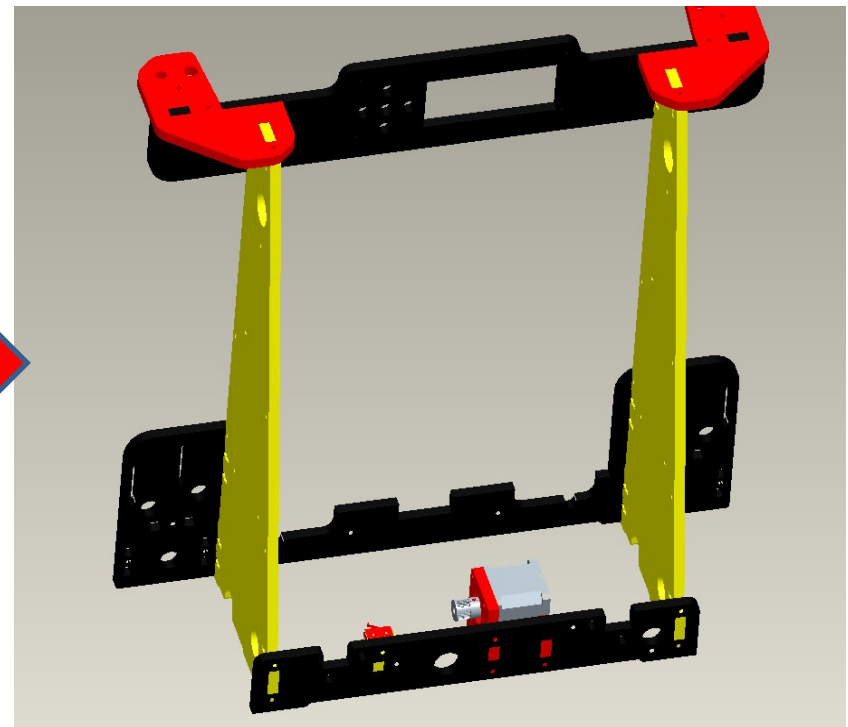
| Name and Qty. of printer parts | | |
|--------------------------------|---------------|------|
| Item | Name of parts | QTY. |
| 1 | Step 2 | 1 |
| 2 | Step 3 | 1 |
| 3 | M3*18 screw | 4 |
| 4 | M3 Nut | 4 |



Before Assembly



After Assembly

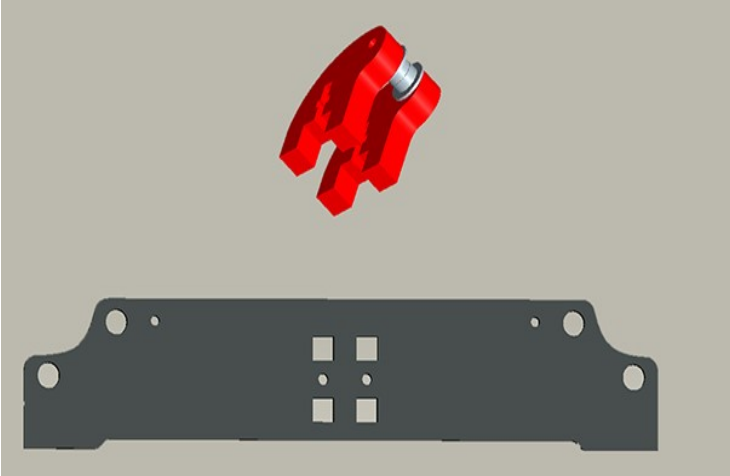


Assembly Step 5

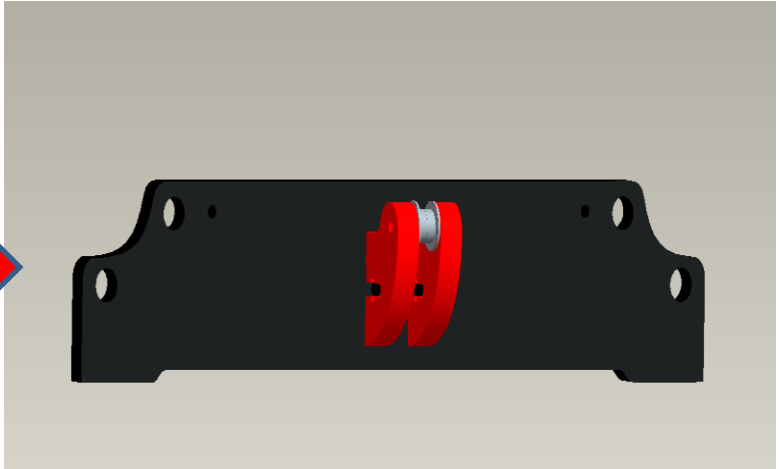
| Name and Qty. of printer parts | | |
|--------------------------------|-----------------------------|------|
| Item | Name of parts | QTY. |
| 1 | Y axis belt bearing support | 1 |
| 2 | Front plate | 1 |
| 3 | M3*18 screw | 2 |
| 4 | M3 Nut | 2 |



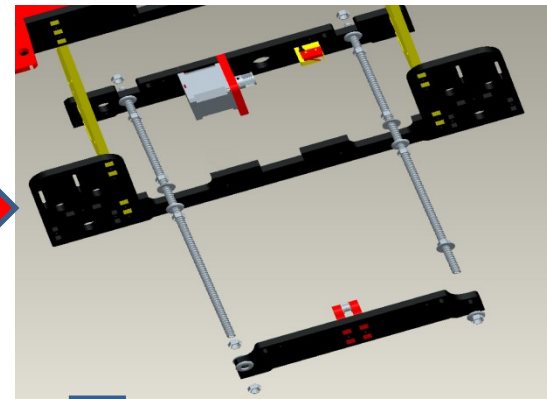
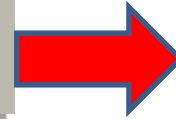
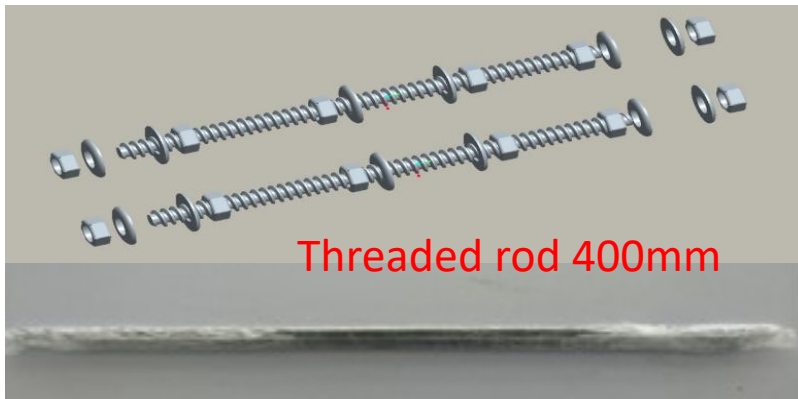
Before Assembly



After Assembly

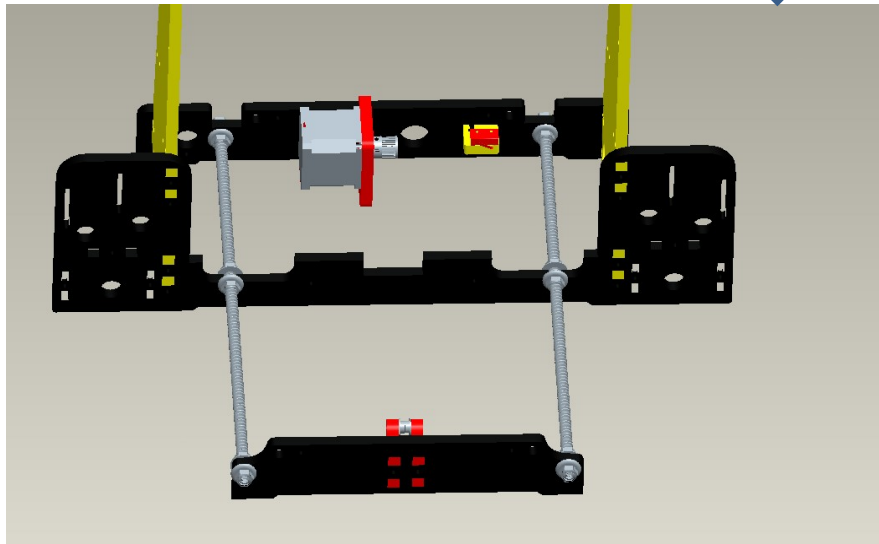


Assembly Step 6



Before Assembly

After Assembly



Name and Qty. of printer parts

| Item | Name of parts | QTY. |
|------|--------------------|------|
| 1 | Step 4 | 1 |
| 2 | Step 5 | 1 |
| 3 | Threaded rod 400mm | 2 |
| 4 | M8 Nut | 12 |
| 5 | M8 Spacer | 12 |

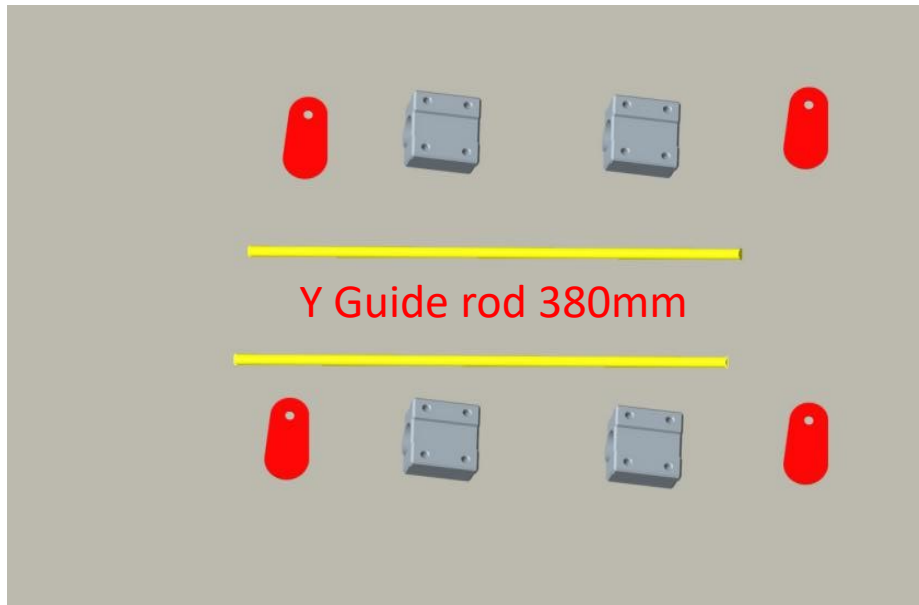
Assembly Step 7

Name and Qty. of printer parts

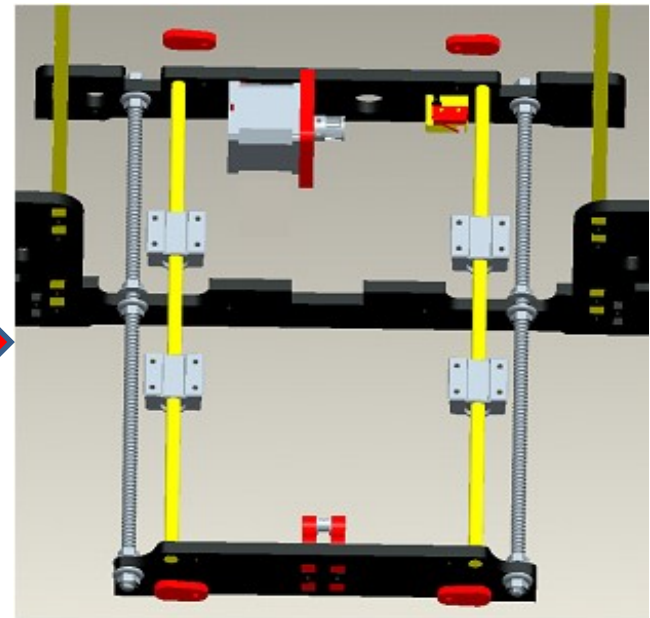
| Item | Name of parts | QTY. |
|------|-------------------------|------|
| 1 | Step 6 | 1 |
| 2 | Y axis Guide rod | 2 |
| 3 | Guide rod back up plate | 4 |
| 4 | Linear bearing | 4 |
| 5 | M3*18 Screw | 4 |
| 6 | M3 Nut | 4 |



Before Assembly



After Assembly



Assembly Step 8

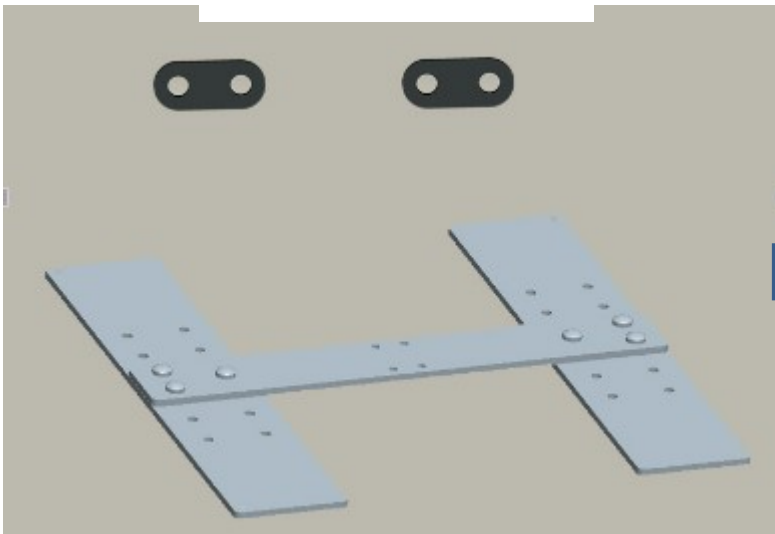


Name and Qty. of printer parts

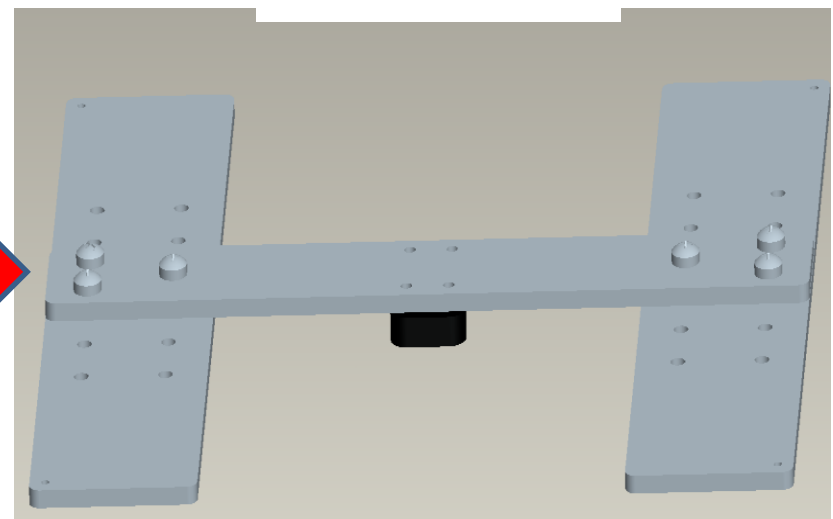
| Item | Name of parts | QTY. |
|------|------------------------------|------|
| 1 | Hot bed fixed aluminum plate | 1 |
| 2 | Y axis belt fixation clamp | 2 |
| 3 | M4*14 screw | 4 |

Attention: Leave vacancy between belt fixation clamp and hot bed fixed plate for belt positioning.

Before Assembly



After Assembly



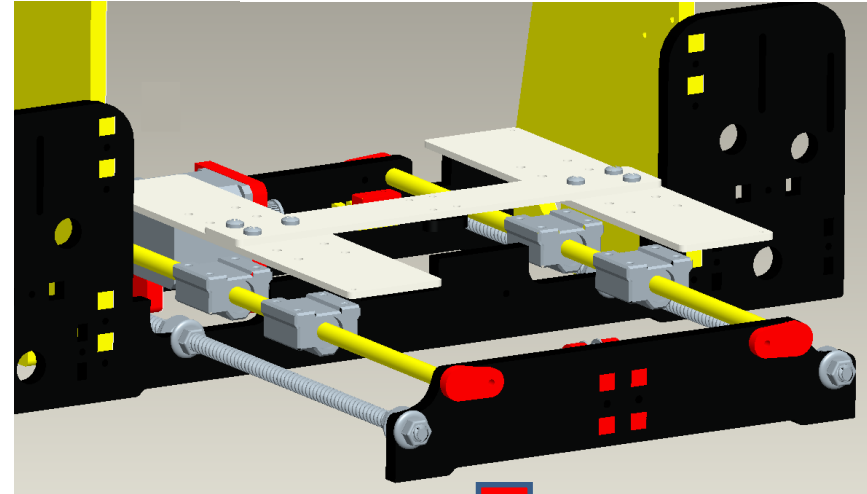
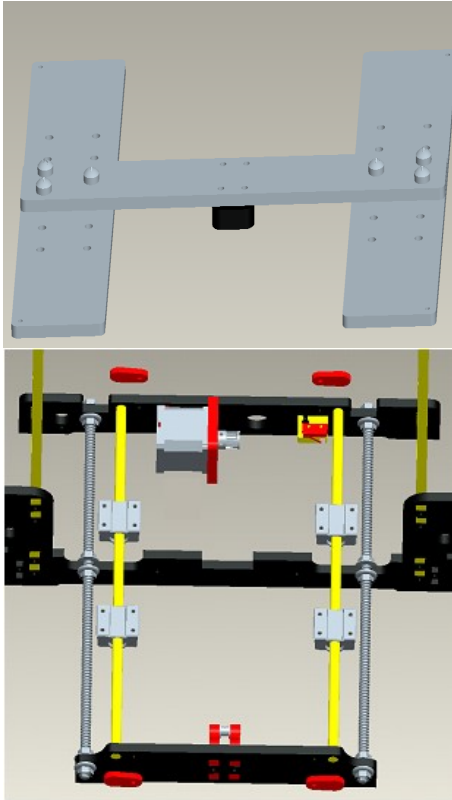
Assembly Step 9



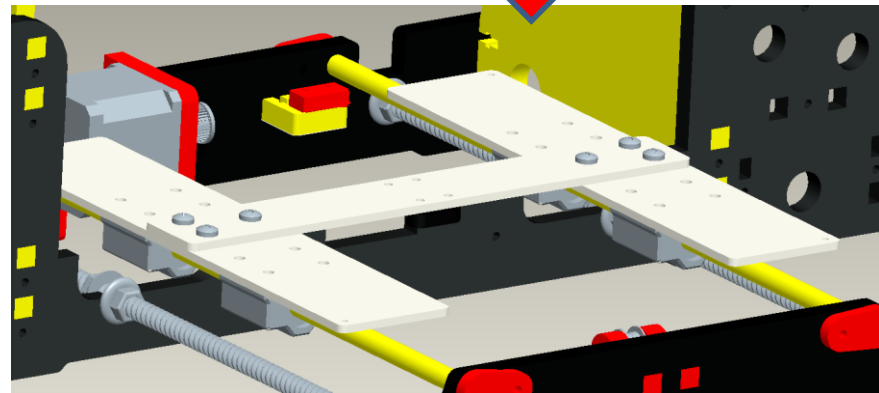
Name of QTY. of printer part

| Item | Name of parts | QTY. |
|------|---------------|------|
| 1 | Step 7 | 1 |
| 2 | Step 8 | 1 |
| 3 | M4*8 Screw | 16 |

Before Assembly



After Assembly



Attention: Please diagonally tighten the screws when all are in there place

Assembly Step 10

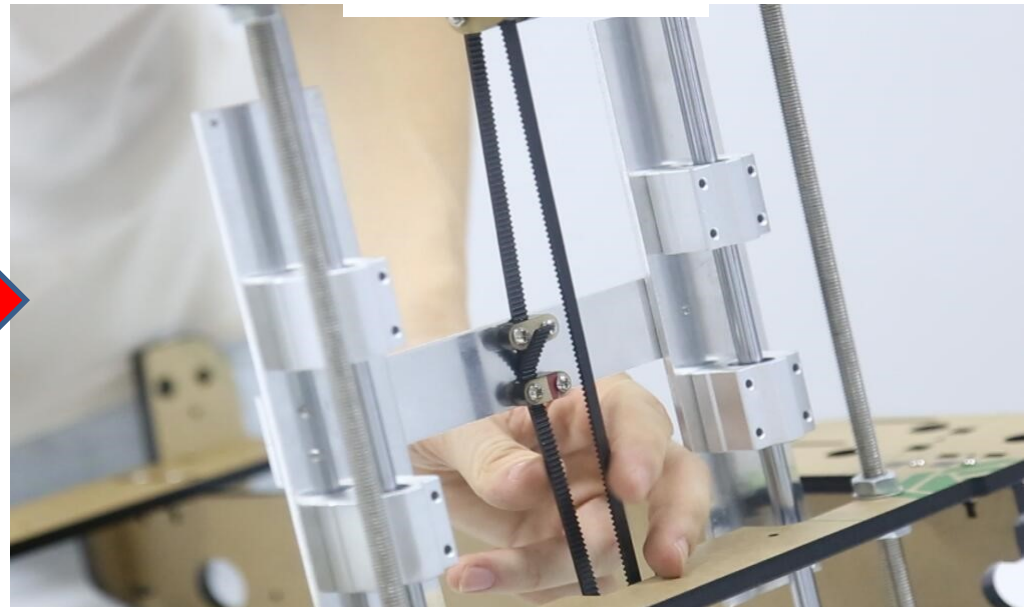
Name and Qty. of printer parts

| Item | Name of parts | QTY. |
|------|---------------|------|
| 1 | Belt | 1 |

Before Assembly



After Assembly

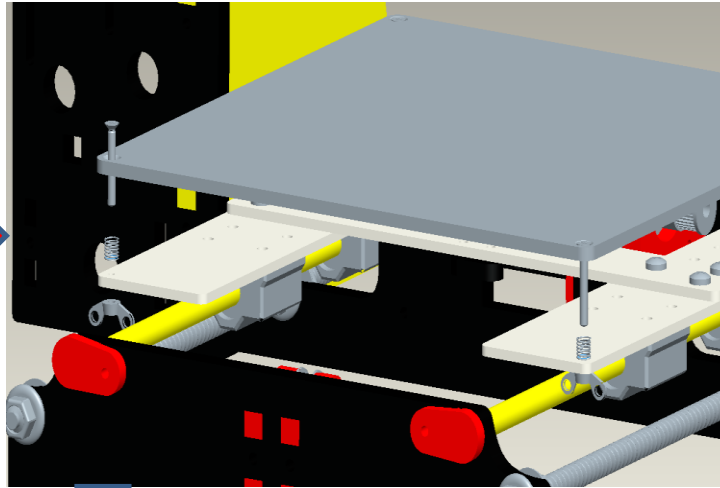
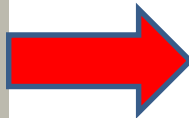
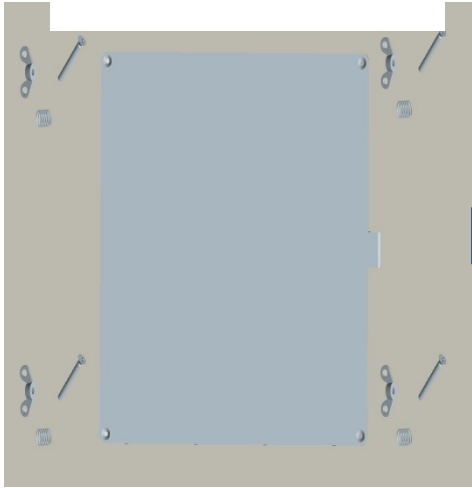


Attention: Belt is for X&Y axis transmitting .Cut the length you need to each transmission shaft. The belt is 1.5m in total and 10-20cm left after installation.

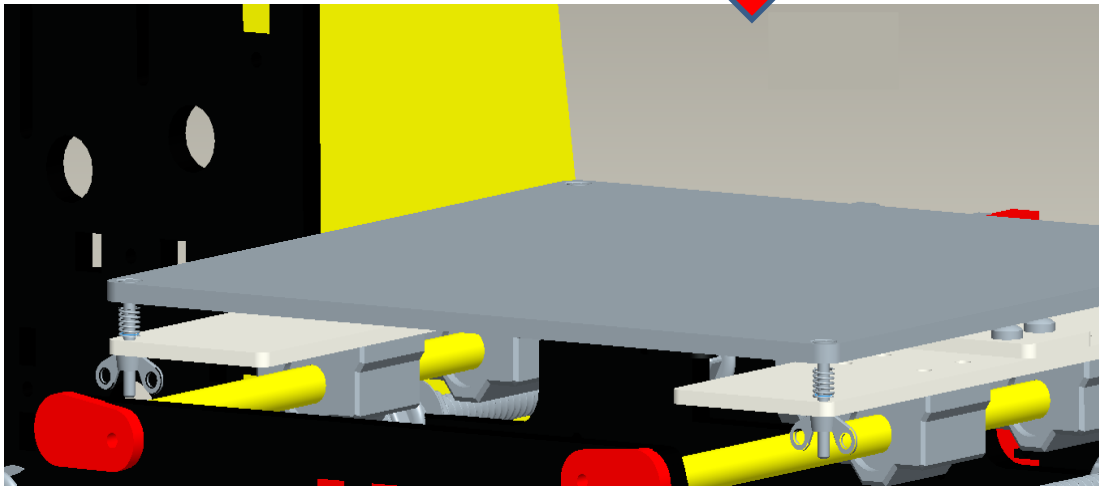
Assembly Step 11

Attention: Hot bed screws should be in the bottom, and wing nuts will keep the height of hot bed level as well as firming the hotbed.

Before Assembly



After Assembly

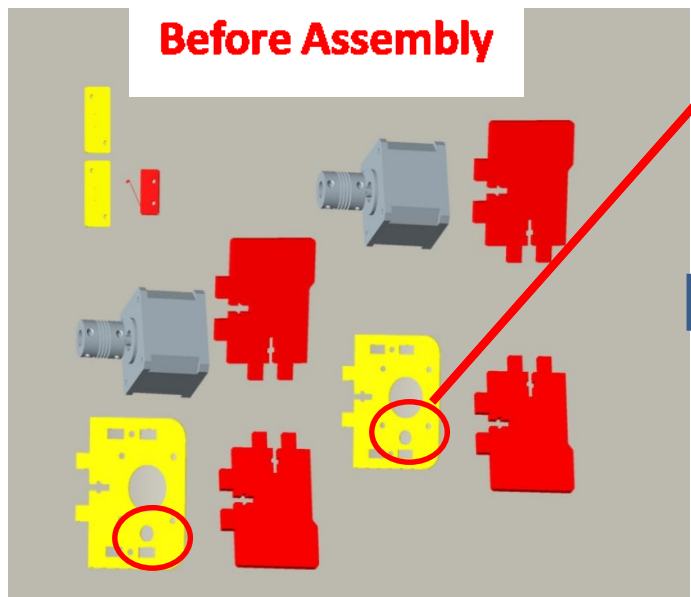


Name and Qty. of printer parts

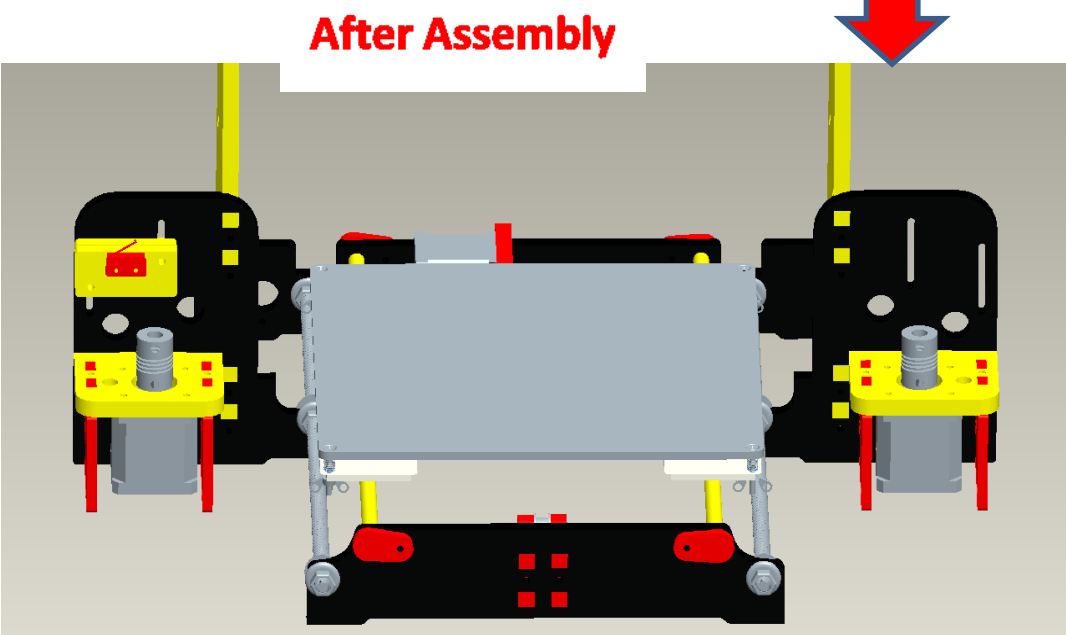
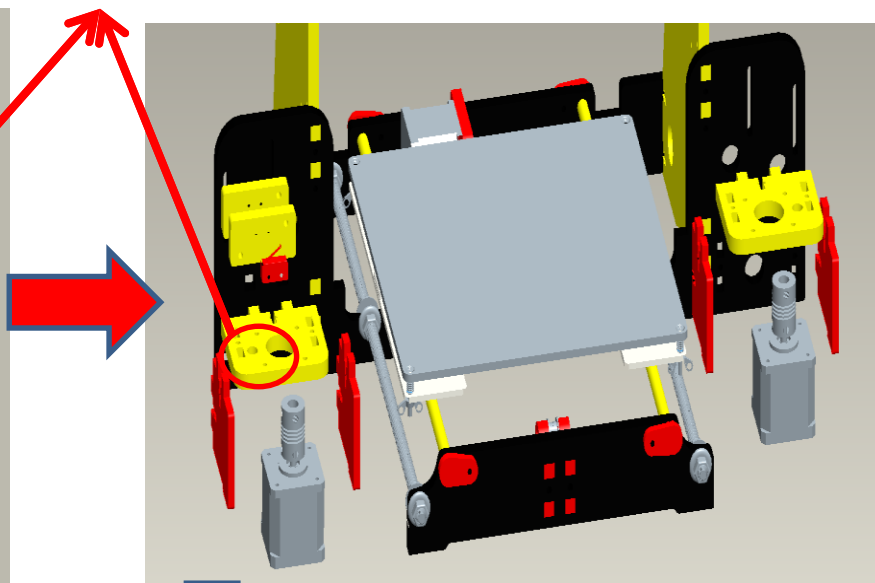
| Item | Name of parts | QTY. |
|------|---------------|------|
| 1 | Step 9 | 1 |
| 2 | Hot bed | 1 |
| 3 | M3*30 Screw | 4 |
| 4 | Spring | 4 |
| 5 | M3 wing nut | 4 |

Assembly Step 12

Attention: This hole is for Z axis guide rod positioning



Before Assembly

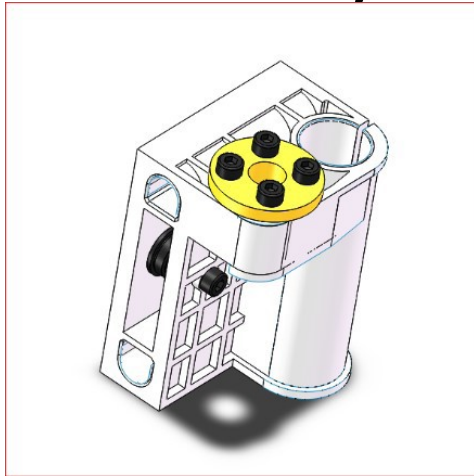


After Assembly

Name and Qty. of printer parts

| Item | Name of parts | QTY. |
|------|---------------------------------|------|
| 1 | Step 11 | 1 |
| 2 | Z axis motor | 2 |
| 3 | Z axis motor fixed plate | 2 |
| 4 | Z axis motor support Plate | 4 |
| 5 | Z axis Limit switch fixed plate | 2 |
| 6 | Z axis Limit switch A 20CM | 1 |
| 7 | M3*18 Screw | 10 |
| 8 | M3 Nut | 10 |
| 9 | M3*12 Screw | 8 |

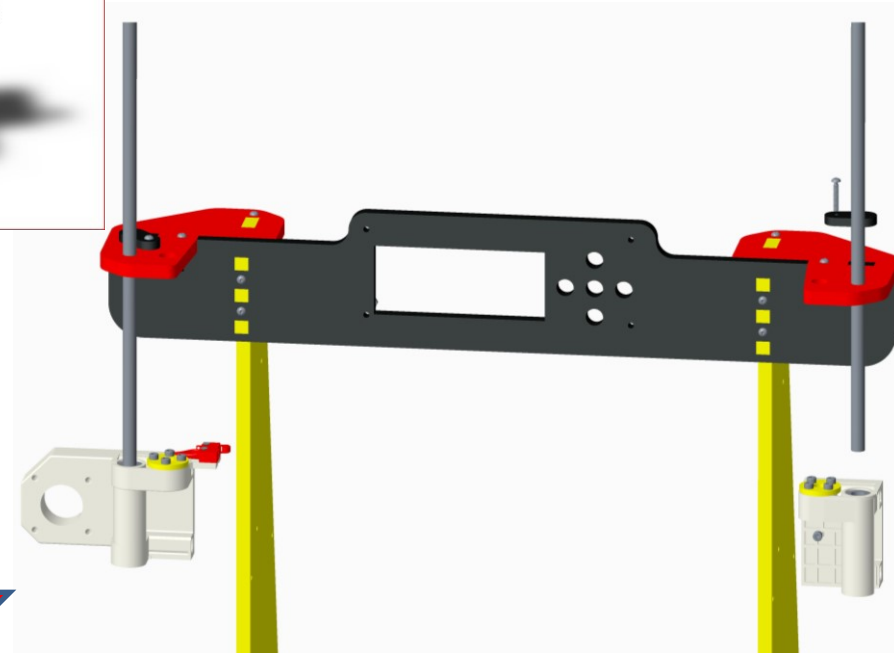
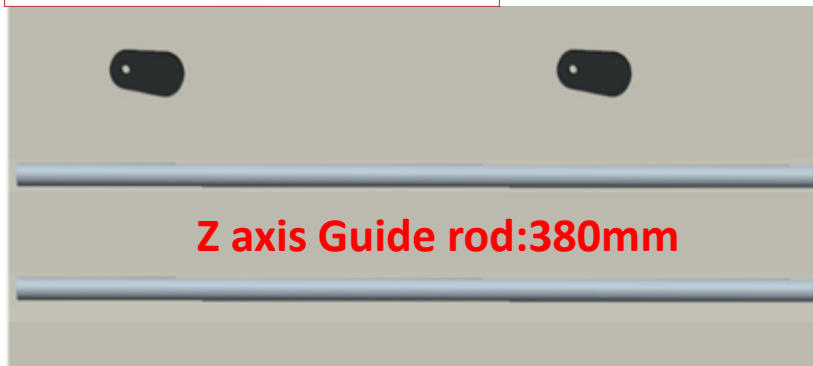
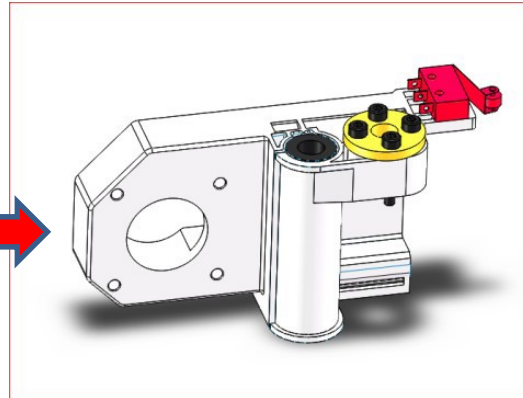
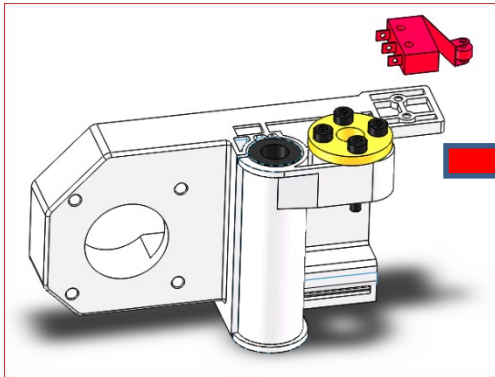
Assembly Step 13



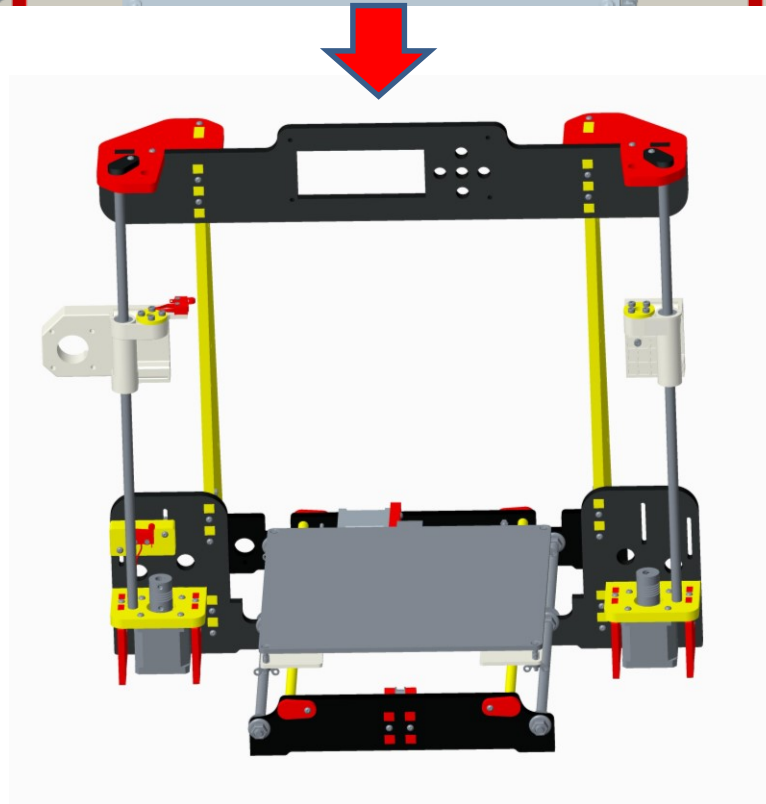
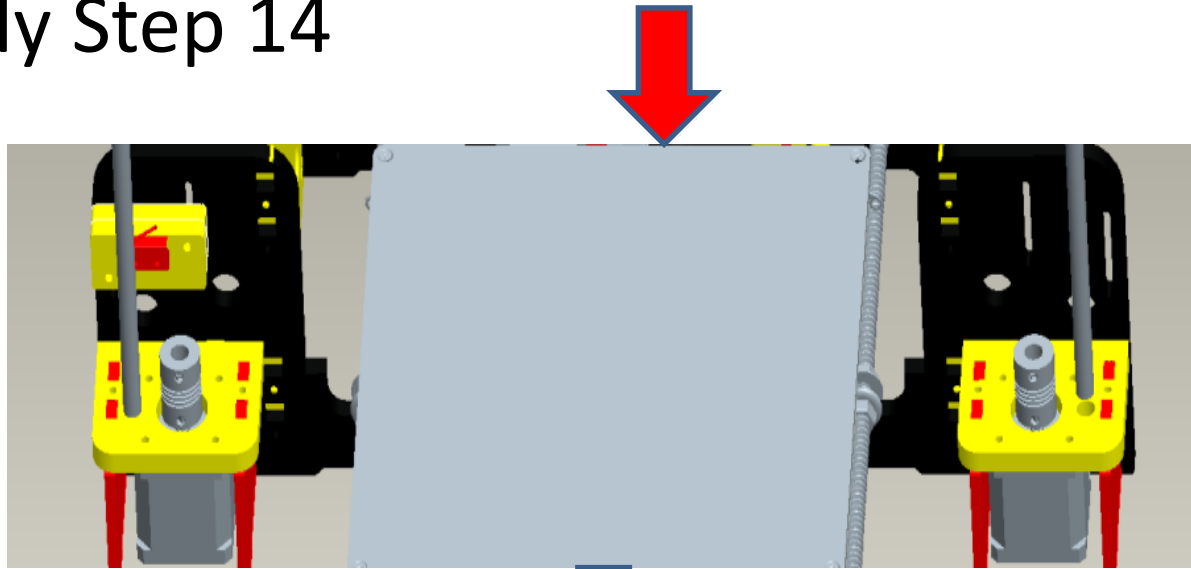
Name and Qty. of printer parts

| Item | Name of parts | QTY. |
|------|--------------------------|------|
| 1 | Step 11 | 1 |
| 2 | Step 12 | 1 |
| 3 | Right Z axis nut support | 1 |
| 4 | Guide rod back up plate | 2 |
| 5 | Z axis Guide rod 380mm | 2 |
| 6 | M3*18 screw | 2 |
| 7 | M3 Nut | 2 |

Before Assembly



Assembly Step 14



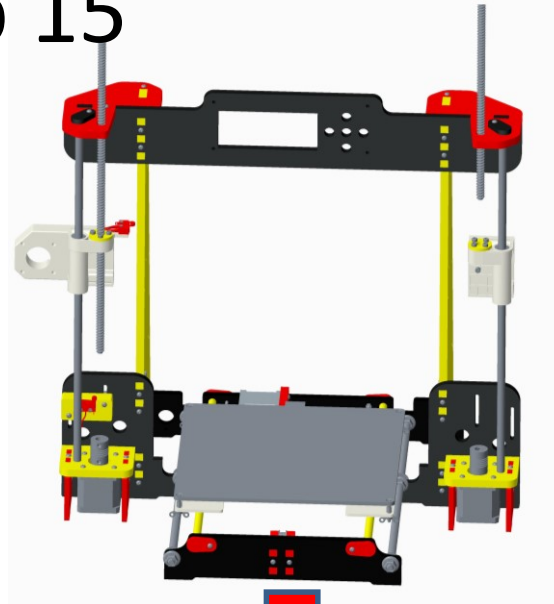
After Assembly

Assembly Step 15

Before Assembly



T lead screw 345mm



Name and Qty. of printer parts

| Item | Name of parts | QTY. |
|------|-------------------------|------|
| 1 | Step 14 | 1 |
| 2 | T type lead screw 345mm | 2 |

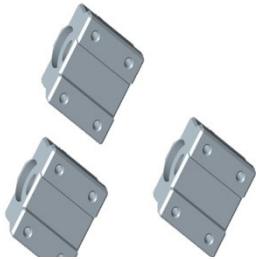
Attention: loose the jackscrew of elastic coupling to place T lead screw **to the bottom**, then tighten the jackscrew.

After Assembly

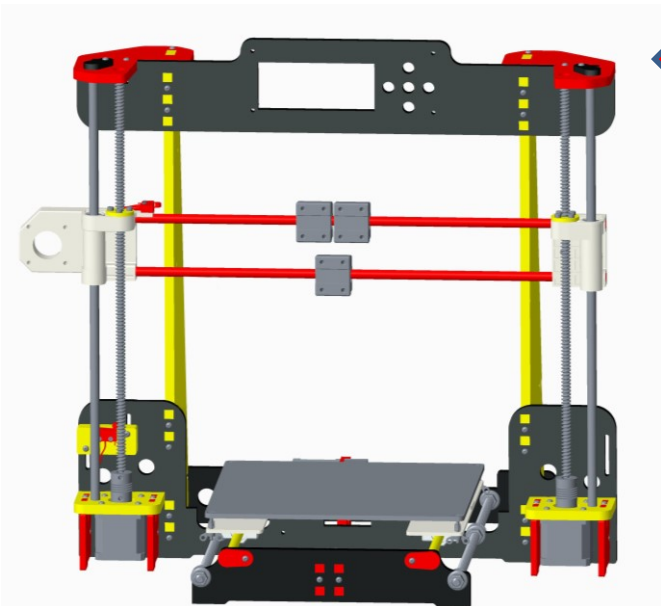
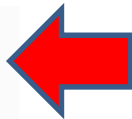
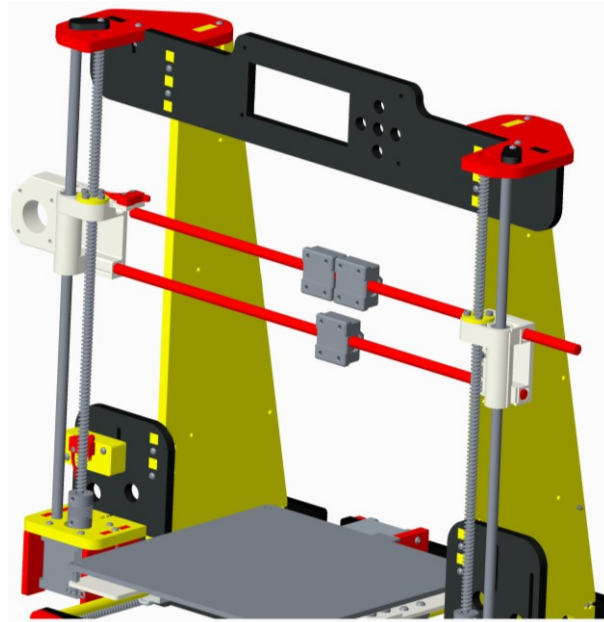
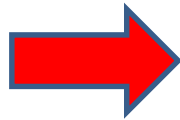
Assembly Step 16

Attention: Please keep A&B at the same level during X rods installation. Knock the guide rods with a hammer slightly if it's hard to place.

X axis Guide rod 436mm



Before Assembly

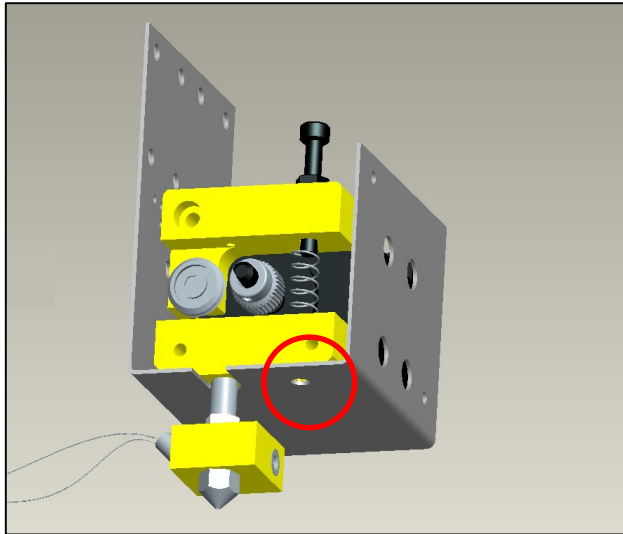


Name and Qty. of printer parts

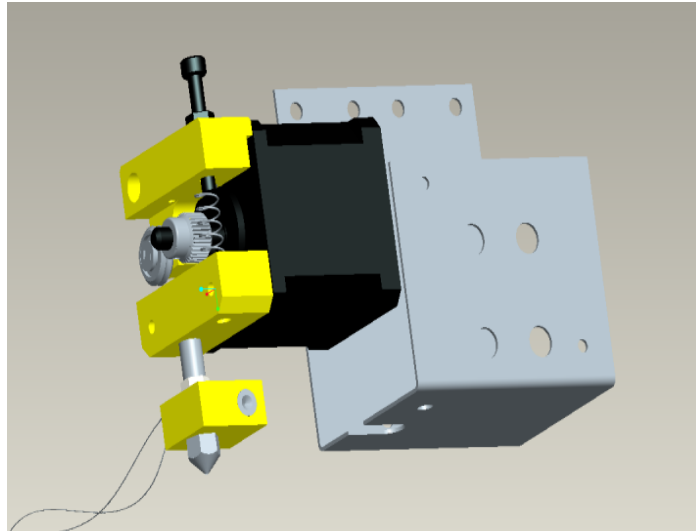
| Item | Name of parts | QTY. |
|------|------------------|------|
| 1 | Step 15 | 1 |
| 2 | X axis Guide rod | 2 |
| 3 | Linear bearing | 3 |

Assembly Step 17

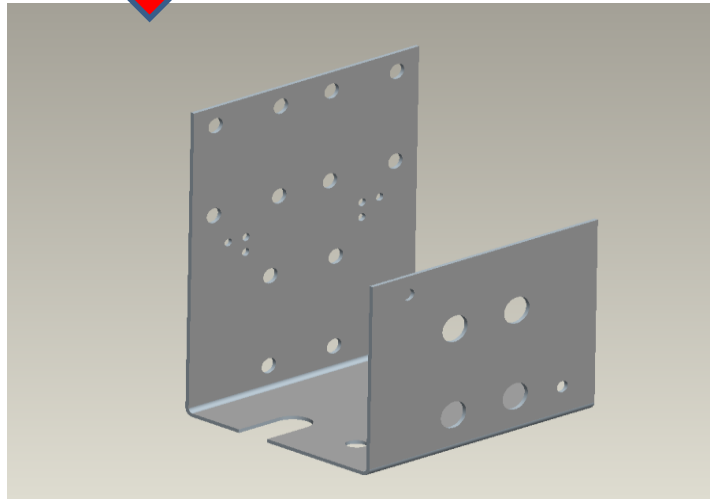
Before disassembly



After disassembly



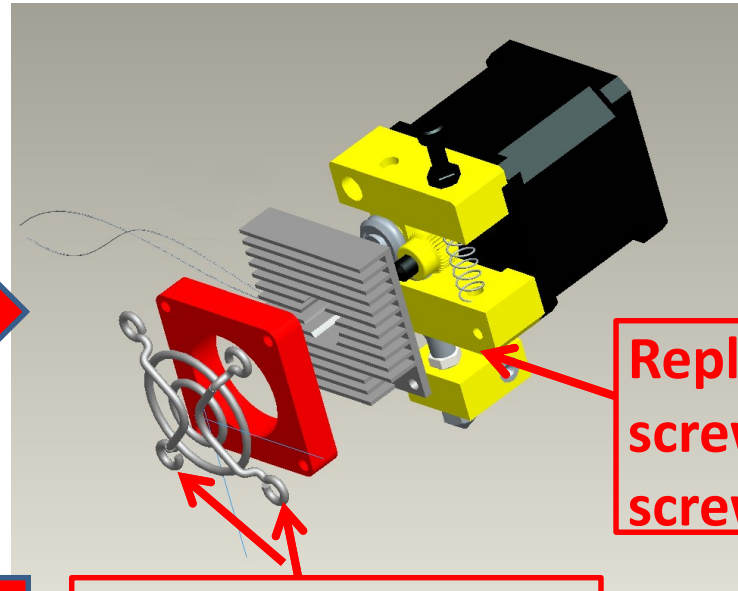
After disassembly



Loose M4*6 screws first,
then separate extruder
from L black aluminum
parts, remember to
keep the screws.

Assembly Step 18

Before Assembly

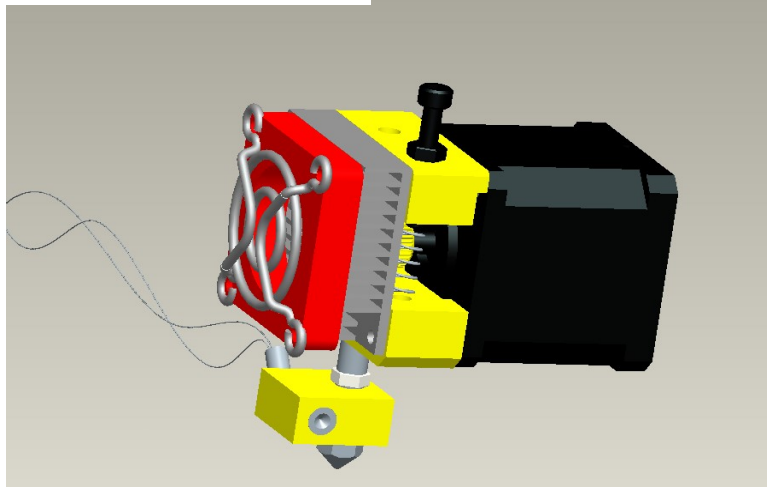


Replace M3*20 screws with M3*45 screws

After Assembly



M3*45 screw holes

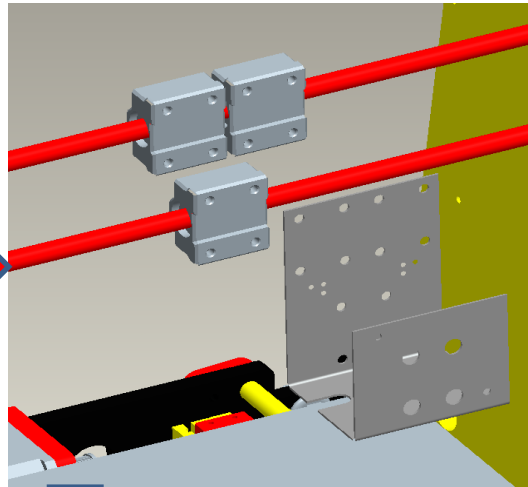
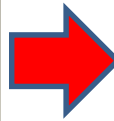
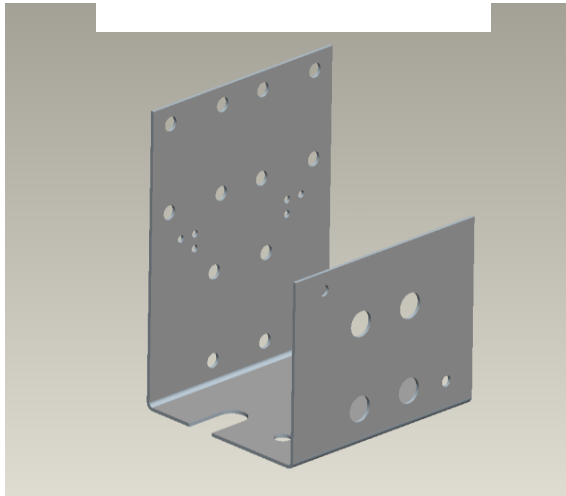


Name of QTY. of printer part

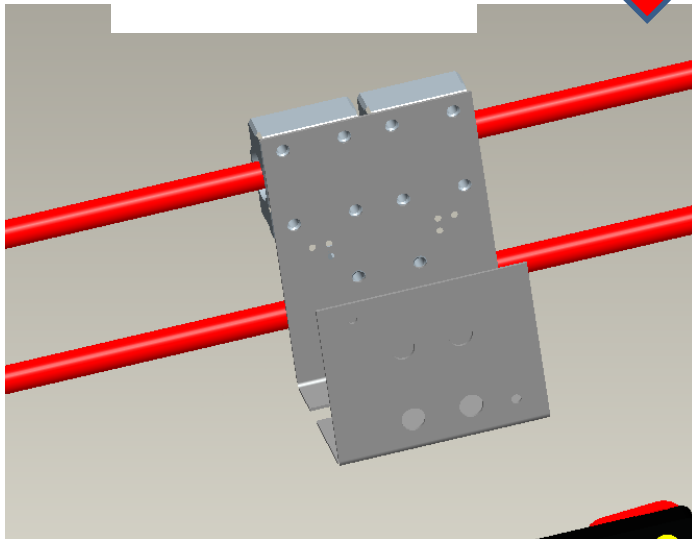
| Item | Name of parts | QTY. |
|------|-----------------------------|------|
| 1 | Extruder taken from Step 17 | 1 |
| 2 | 40*10 Fan | 1 |
| 3 | 40*11 Cooling fin | 1 |
| 4 | Fan cover | 1 |
| 5 | M3*45 Screw | 2 |
| 6 | M3 Spacer | 6-8 |

Assembly Step 19

Before Assembly



After Assembly



Name of QTY. of printer part

| Item | Name of parts | QTY. |
|------|---|------|
| 1 | Step 16 | 1 |
| 2 | The black aluminum removed from step 17 | 1 |
| 3 | M4*14Screw | 12 |

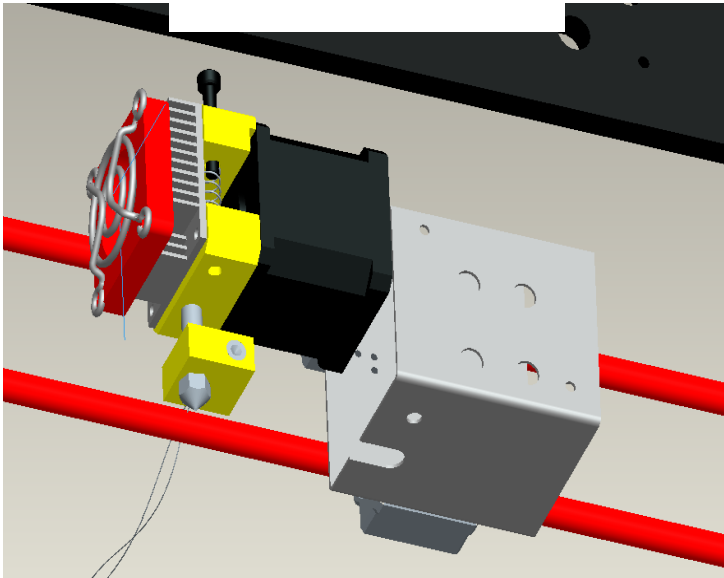
Assembly Step 20

Attention: Install M4*6 screw. Tighten M6 Screw on the throat with spanner till extruder is not loose.

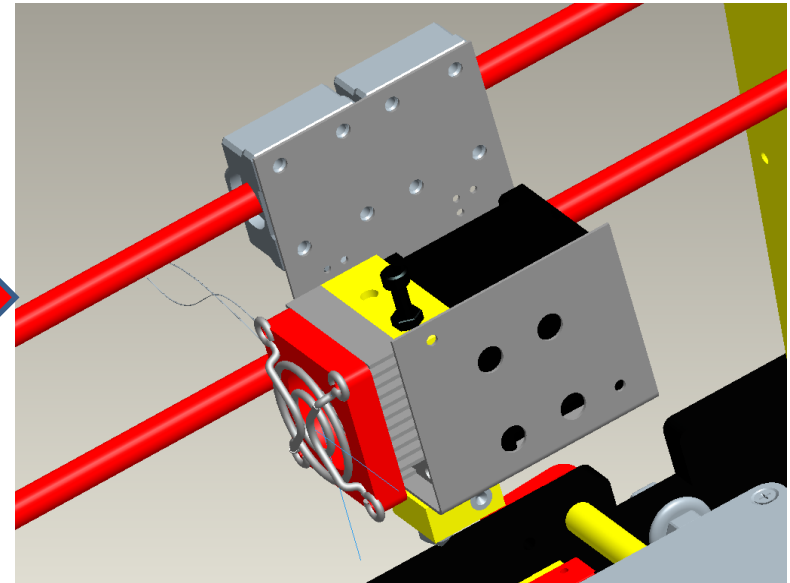
Name of QTY. of printer part

| Item | Name of parts | QTY. |
|------|-----------------------------|------|
| 1 | Step 18 | 1 |
| 2 | Step 19 | 1 |
| 3 | M4* 6 We taken from Step 17 | 1 |

Before Assembly



After Assembly



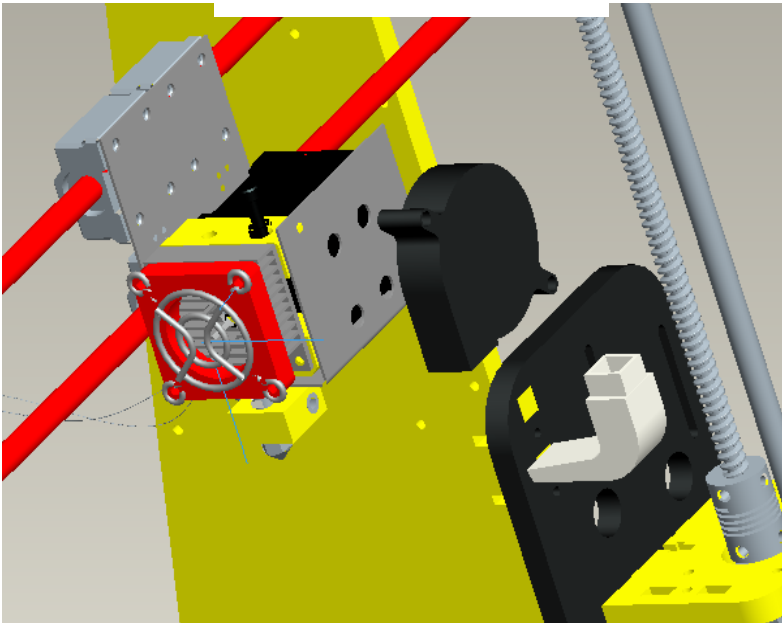
Assembly Step 21



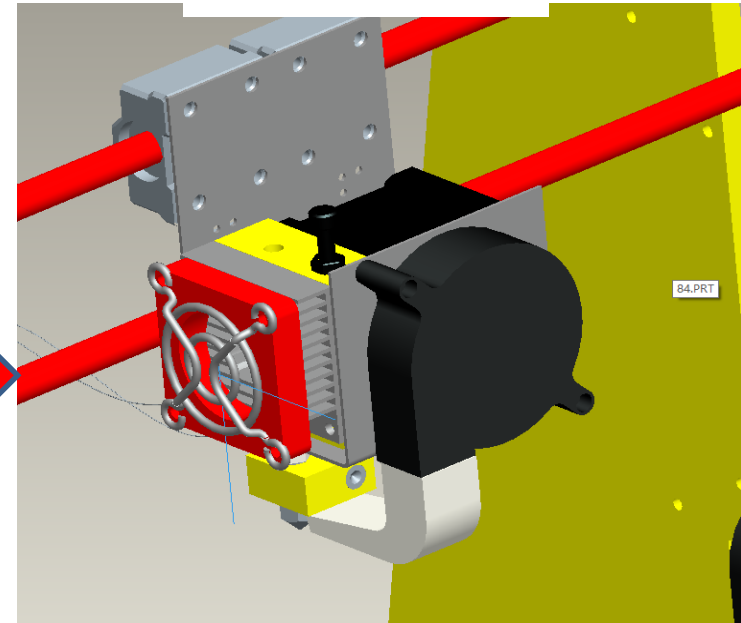
Name of QTY. of printer part

| Item | Name of parts | QTY. |
|------|-----------------|------|
| 1 | Step 20 | 1 |
| 2 | 5015 Air blower | 1 |
| 3 | Wind mouth | 1 |
| 4 | M3*18 screw | 2 |

Before Assembly

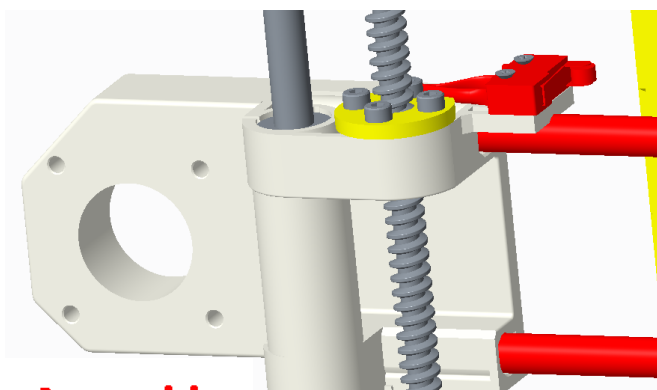


After Assembly

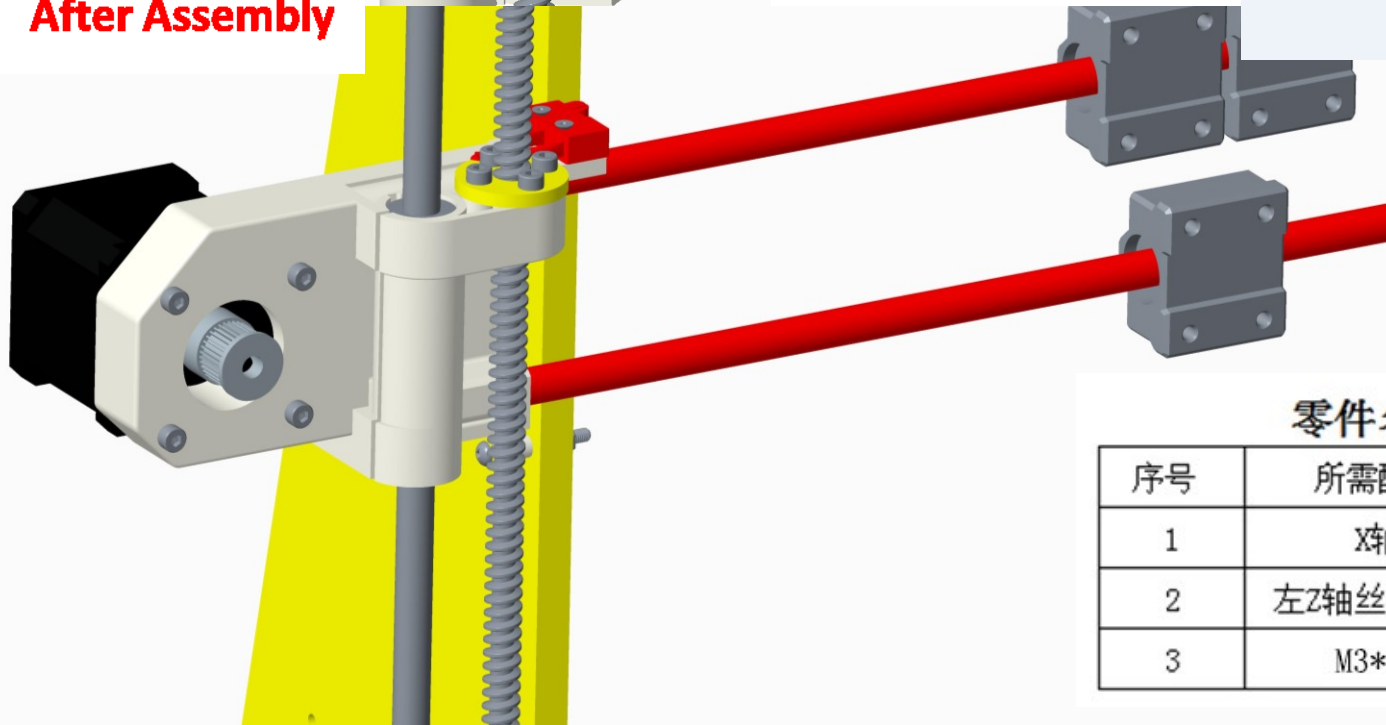


Assembly Step 22

Before Assembly



After Assembly



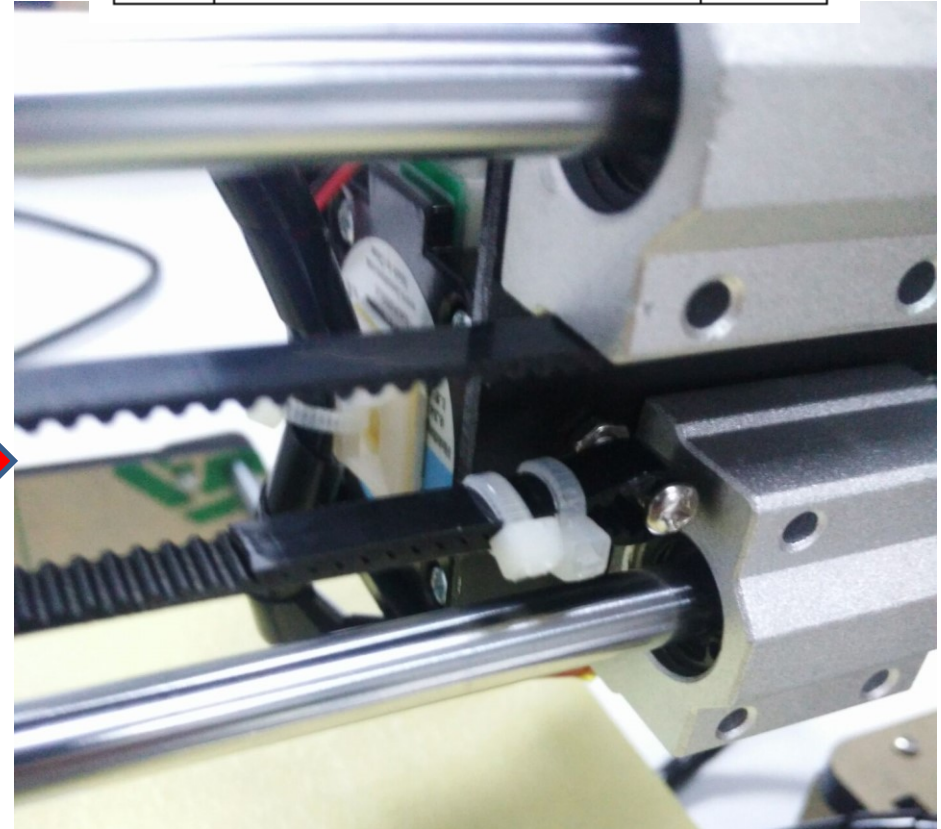
零件名称和数量

| 序号 | 所需配件名称 | 数量 |
|----|-----------|----|
| 1 | X轴电机 | 1 |
| 2 | 左Z轴丝杆螺母支撑 | 1 |
| 3 | M3*20螺丝 | 4 |

Assembly Step 23

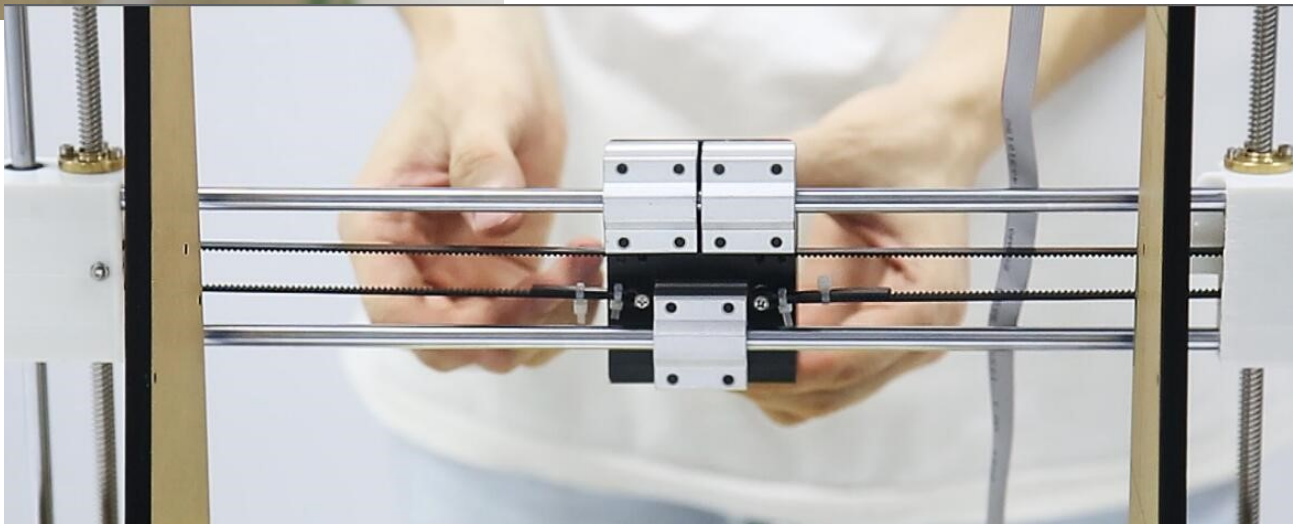
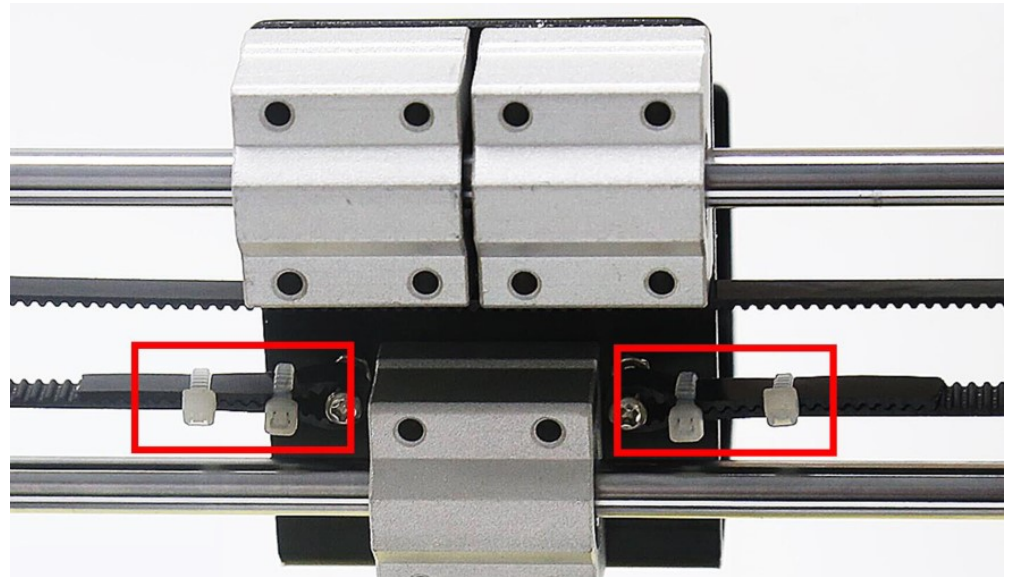
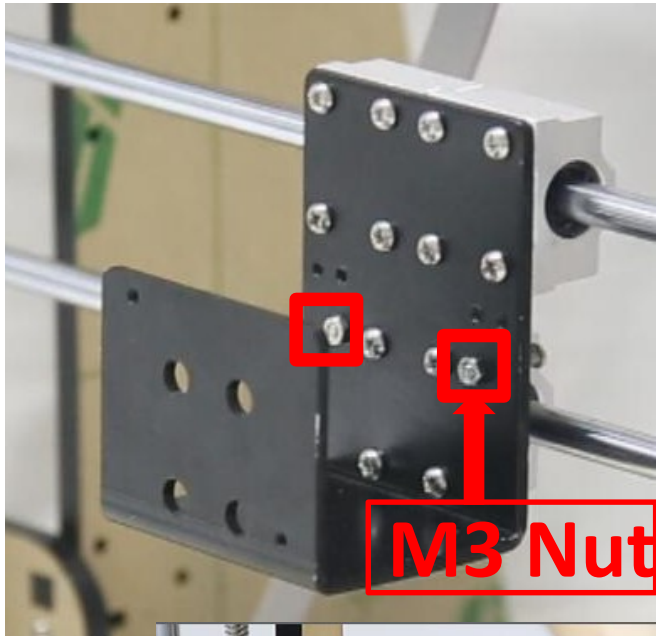
Name of QTY. of printer part

| Item | Name of parts | QTY. |
|------|---------------|------|
| 1 | Belt | 1 |
| 2 | M3*18 screw | 2 |
| 3 | M3 Nut 4 | 4 |



Attention: Belt is for X,Y axis transmitting . The length of belt is 1.5m in total. Normally there'll be 10-20cm left after installation.

Assembly Step 24



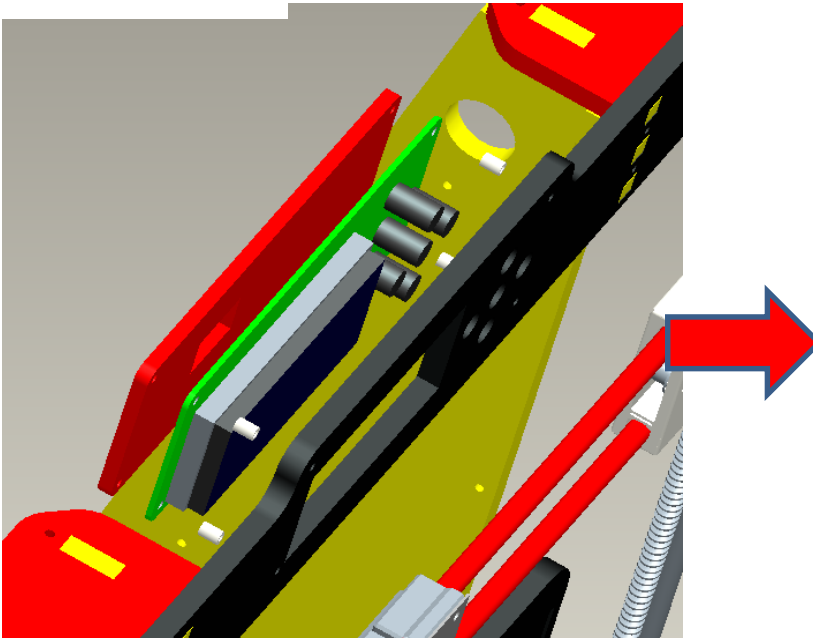
Assembly Step 25



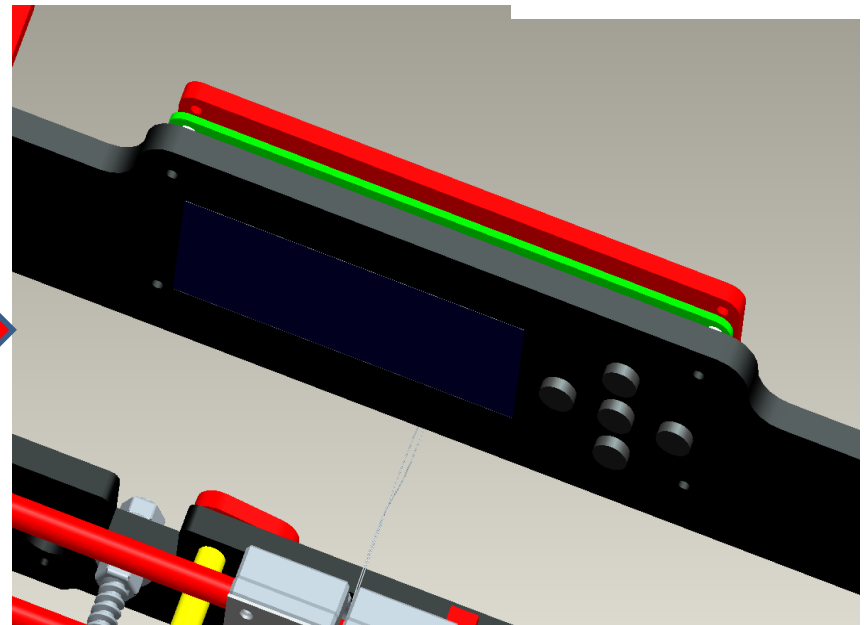
Name of QTY. of printer part

| Item | Name of parts | QTY. |
|------|---------------------|------|
| 1 | LCD 2004 screen | 1 |
| 2 | Pillar washer M3*7 | 4 |
| 3 | Screen baffle plate | 1 |
| 4 | M3*30 screw | 4 |
| 5 | M3 Nut | 8 |

Before Assembly

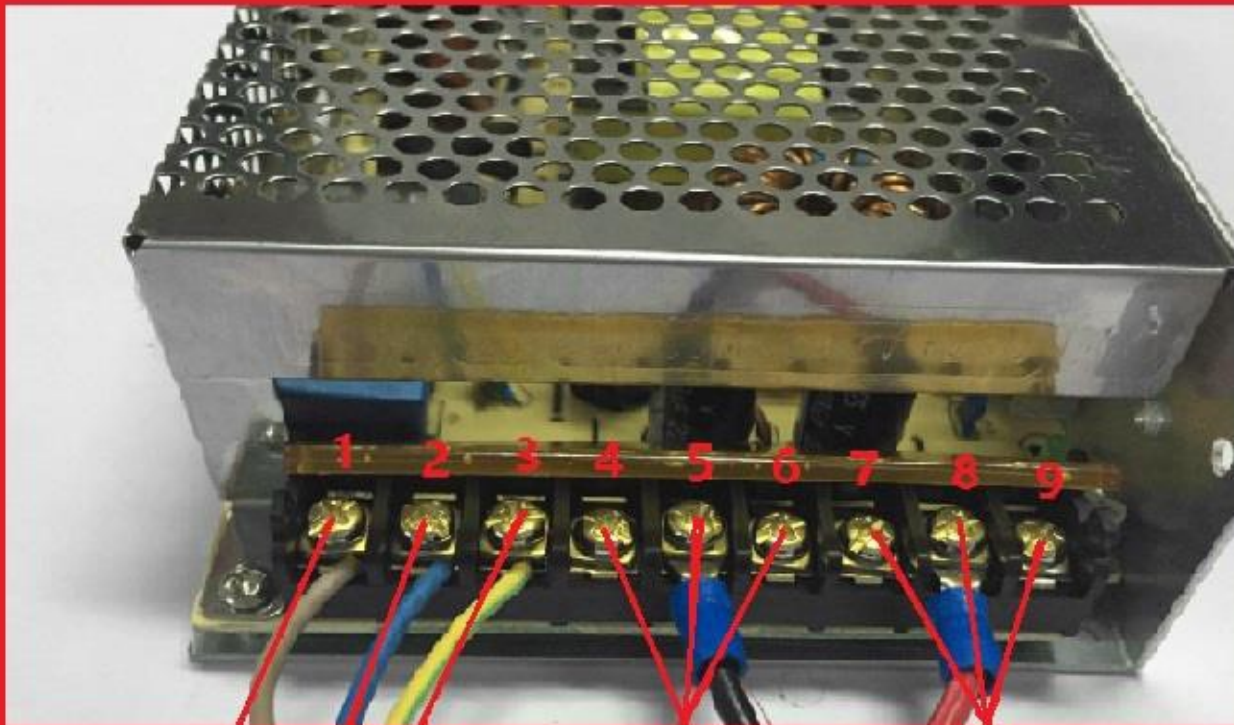


After Assembly



Assembly Step 26

Attention This is the wiring diagram of power supply. 1, 2, 3 separately represent the line of fire (brown), Zero line (blue), ground wire (yellow). 4, 5, 6 represent negative pole (black) (-); 7, 8, 9 represent the positive pole (red) (+). To avoid danger, please assure the installation is correct.



| | | | | |
|-------|------|--------|-------------|----------|
| Brown | blue | yellow | black (COM) | red (+V) |
| 1 | 2 | 3 | 4 5 6 | 7 8 9 |

Assembly Step 27

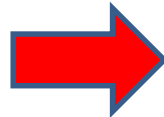
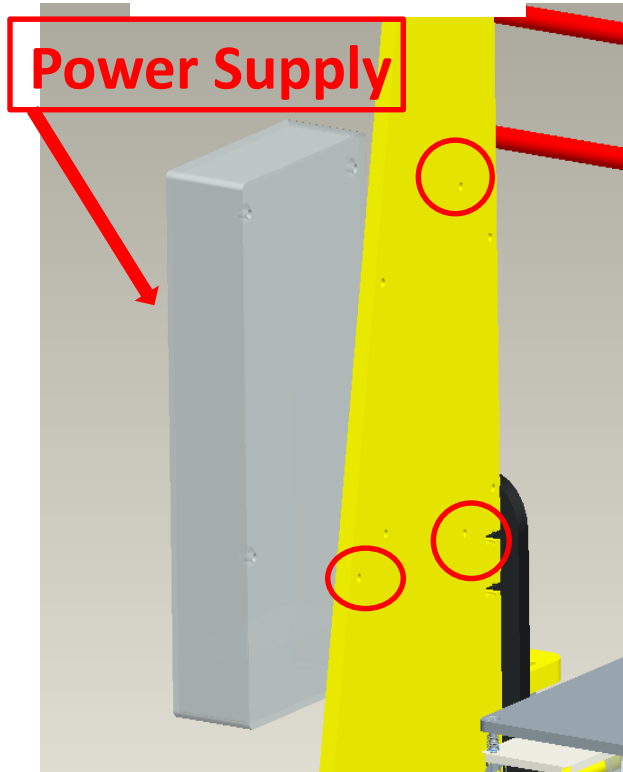
Red circles stand for the power screw holes



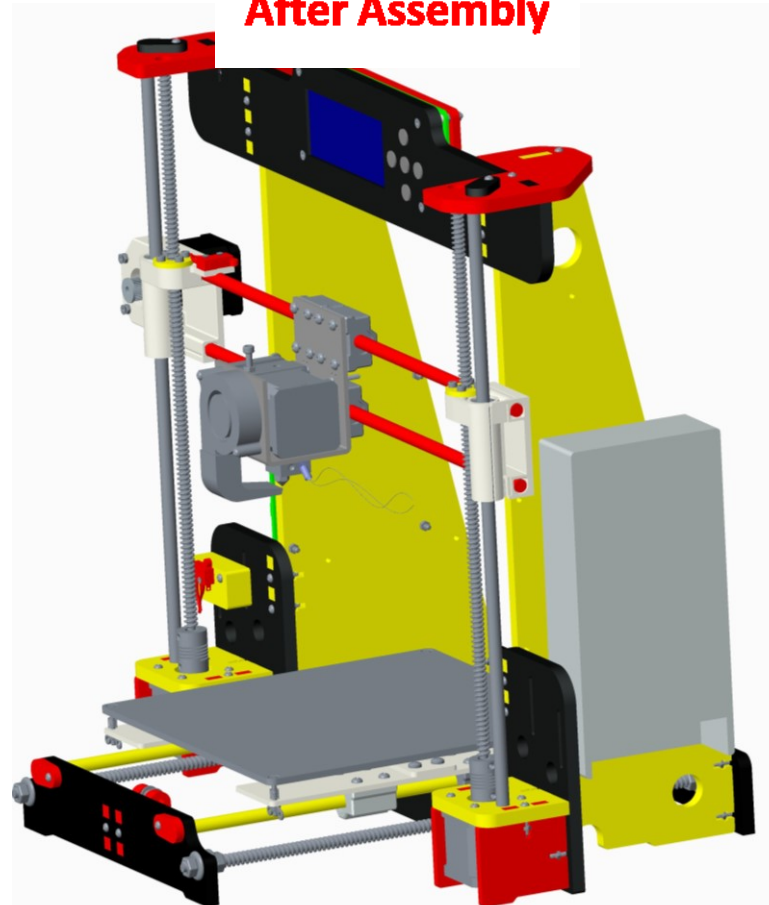
Name of QTY. of printer part

| Item | Name of parts | QTY. |
|------|------------------|------|
| 1 | Step 26 | 1 |
| 2 | Power Supply 12V | 1 |
| 3 | M3*12screw | 3 |

Before Assembly

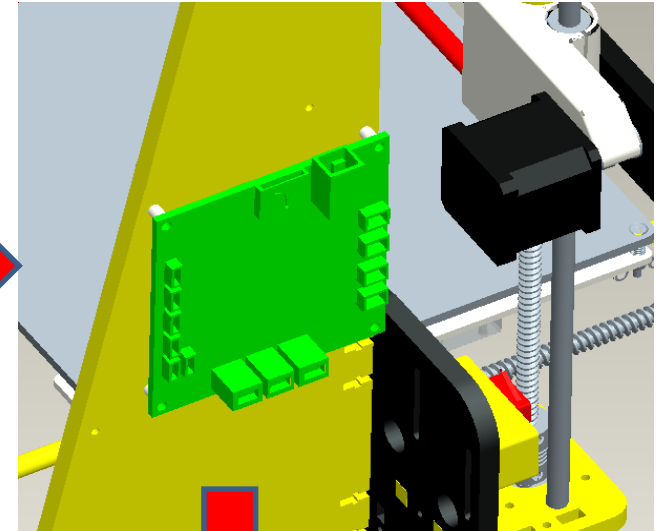
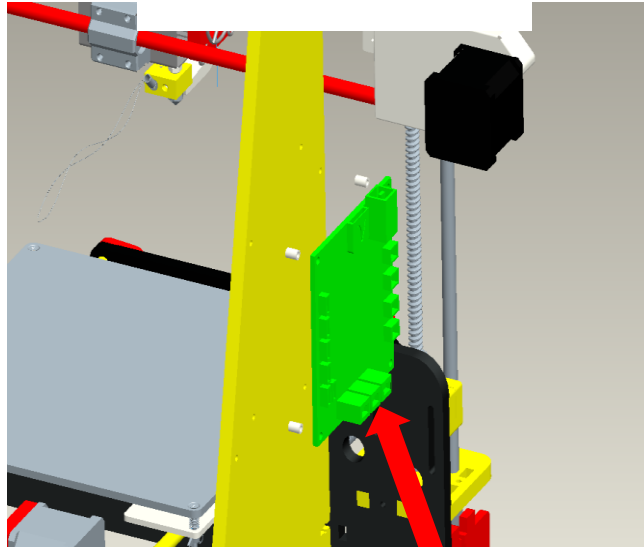


After Assembly



Assembly Step 28

Before Assembly

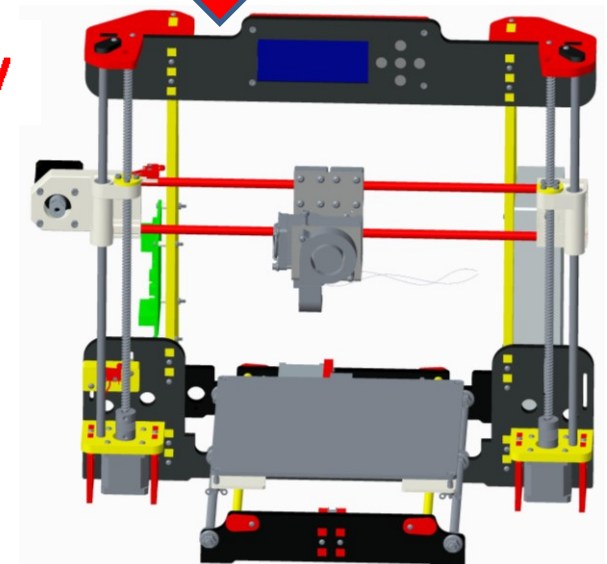


Mainboard

After Assembly

Name of QTY. of printer part

| Item | Name of parts | QTY. |
|------|---------------------|------|
| 1 | Step 27 | 1 |
| 2 | Mainboard | 1 |
| 3 | M3*30 screw | 4 |
| 4 | M3 Nut | 4 |
| 5 | Pillar washer M3*15 | 4 |



Assembly Step 29

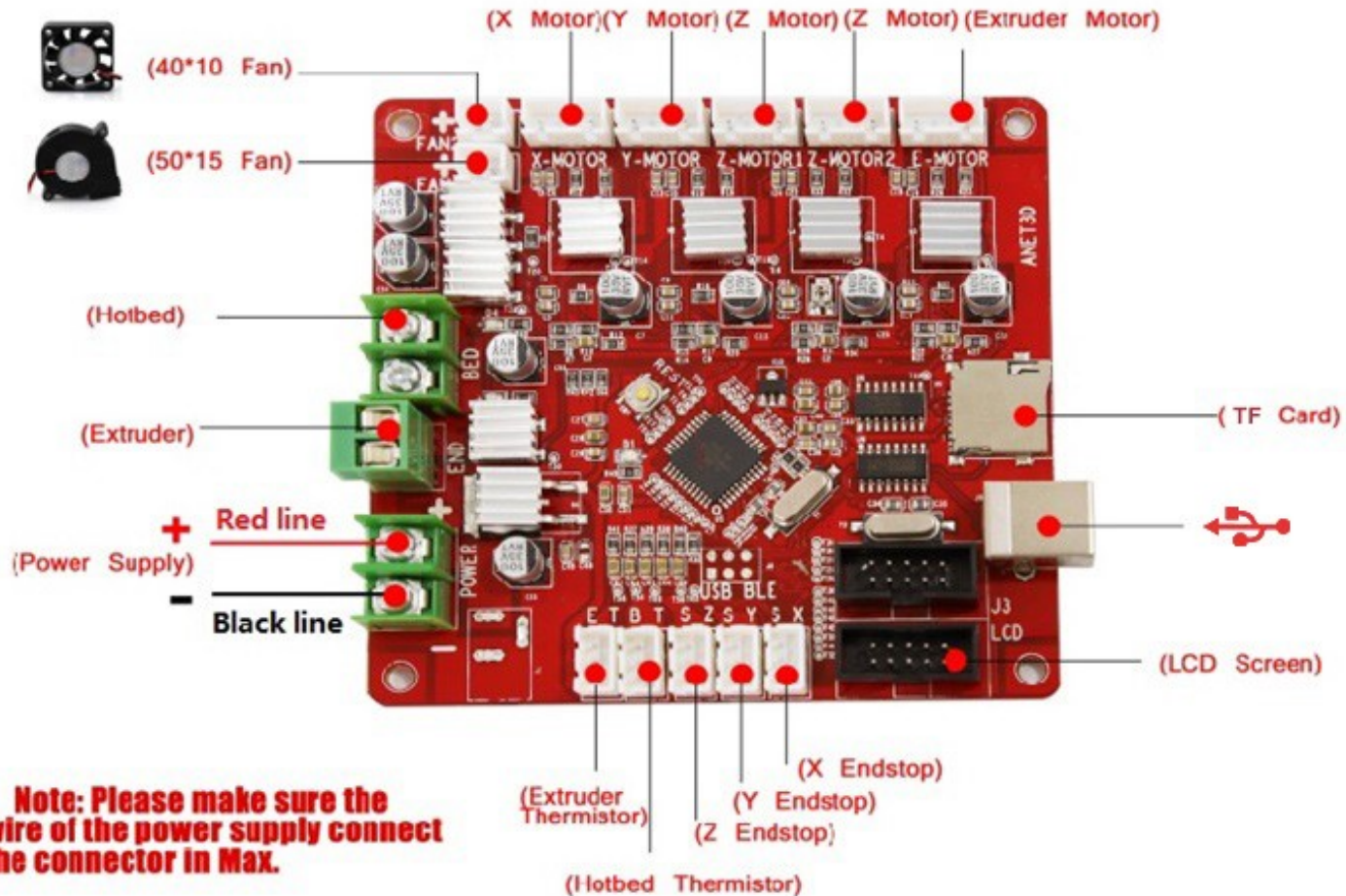
Attention: Please use the corresponding wire , especially motor wire & limited switch wire.

Length of A8 Components Wire

| NO. | Option | Length(mm) |
|-----|--------------------------|------------|
| 1 | Power supply wire | 700mm |
| 2 | X motor wire | 400mm |
| 3 | Y motor wire | 400mm |
| 4 | Left Z motor wire | 400mm |
| 5 | Right Z motor wire | 900mm |
| 6 | X limited switch wire | 550mm |
| 7 | Y limited switch wire | 700mm |
| 8 | Z limited switch wire | 200mm |
| 9 | Extruder motor wire | 900mm |
| 10 | 4010 Fan wire | 1100mm |
| 11 | 5015 Blower wire | 1100mm |
| 12 | Heating pipe wire | 1000mm |
| 13 | Extruder thermistor wire | 1000mm |
| 14 | Hotbed wire | 900mm |
| 15 | X Belt | 1500mm |
| 16 | Y Belt | |
| 17 | Screen wire | 500mm |

Assembly Step 30

Attention: Please connect the electronics wire to each components correspondingly.



Assembly Step 31

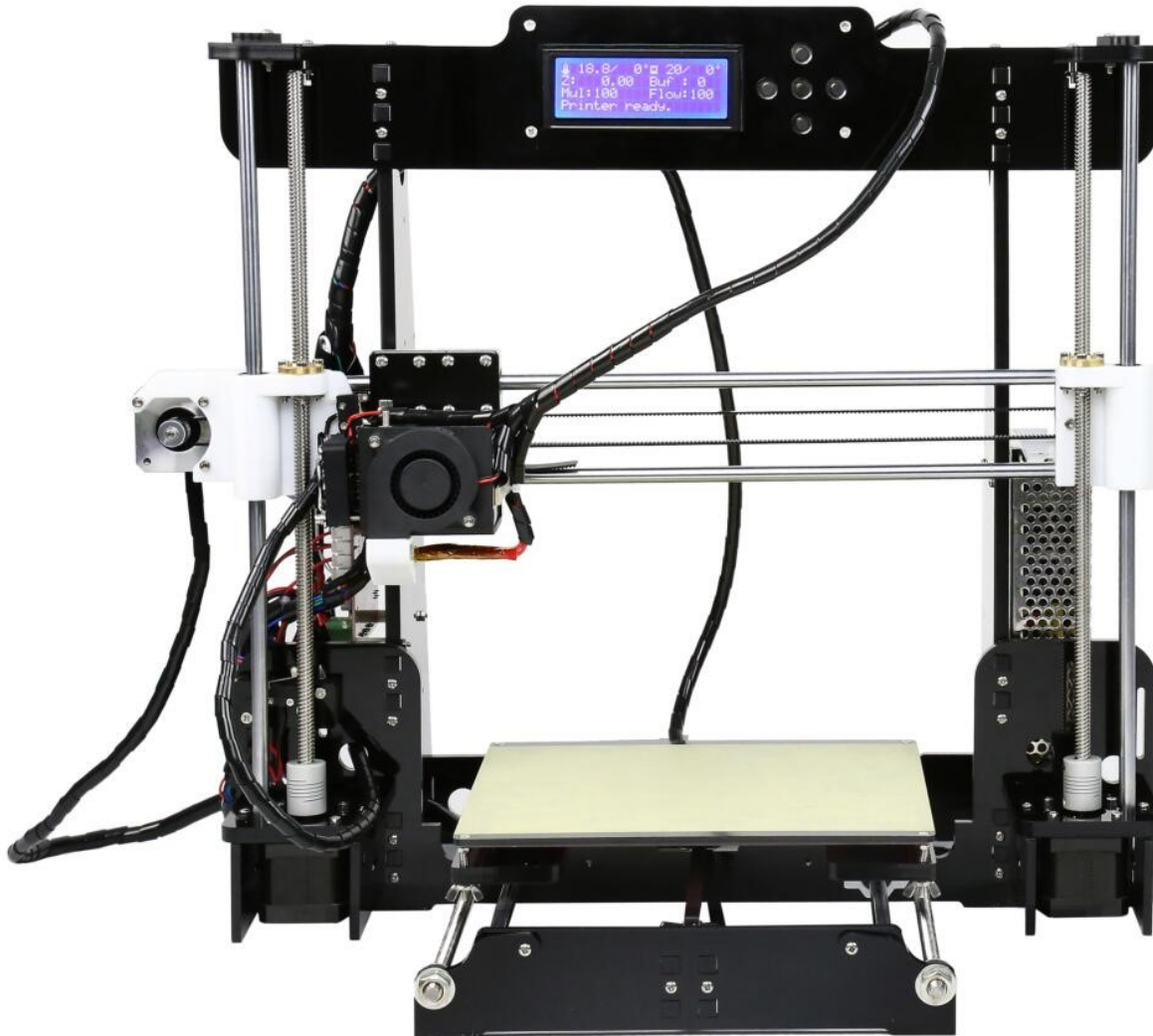


Name of QTY. of printer part

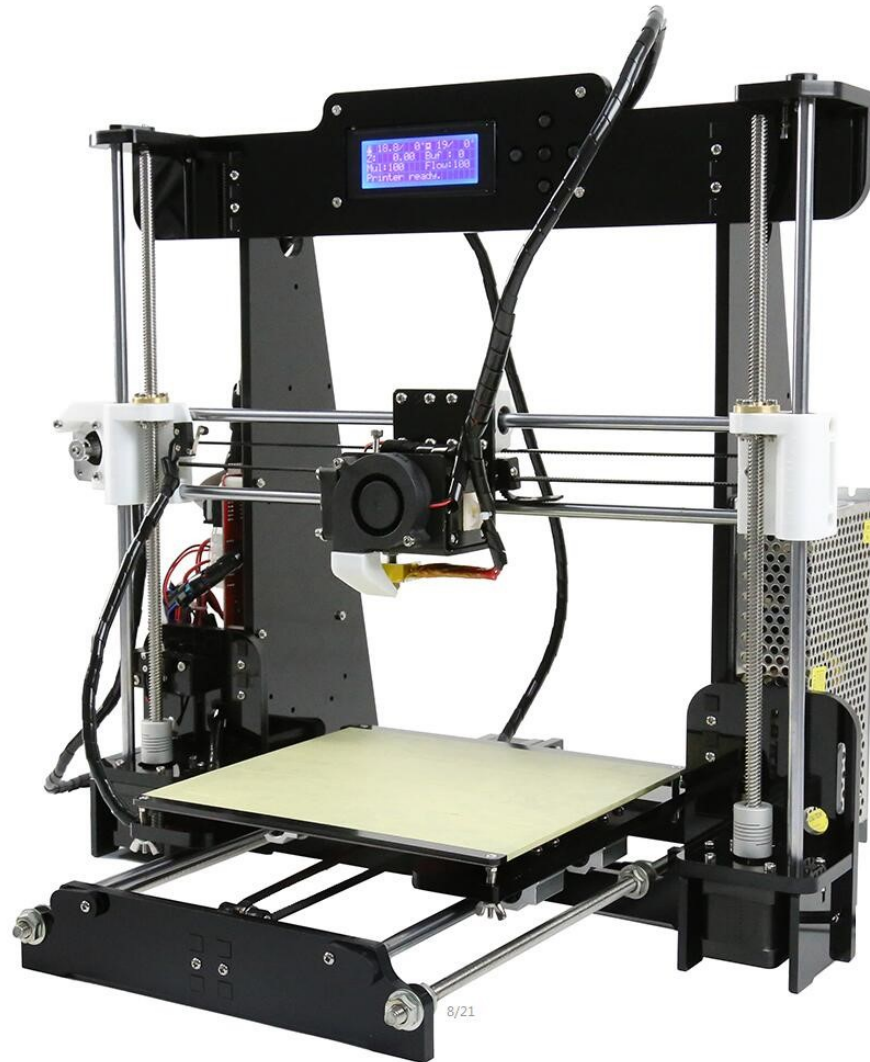
| Item | Name of parts | QTY. |
|------|---|------|
| 1 | Filament support plate | 2 |
| 2 | Filament support plate connecting plate | 2 |
| 3 | Threaded rod 150mm | 1 |
| 4 | M8 screw | 4 |
| 5 | M3*18 screw | 4 |
| 6 | M3 Nut | 4 |



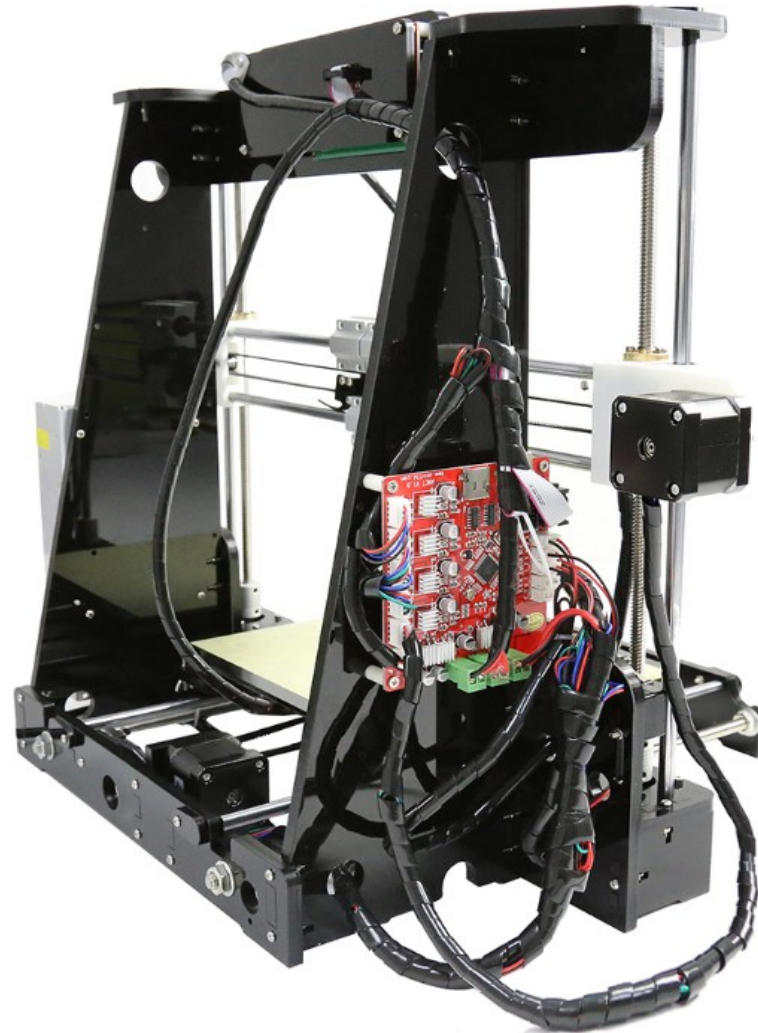
Assembly Step 32 Installation Picture 1



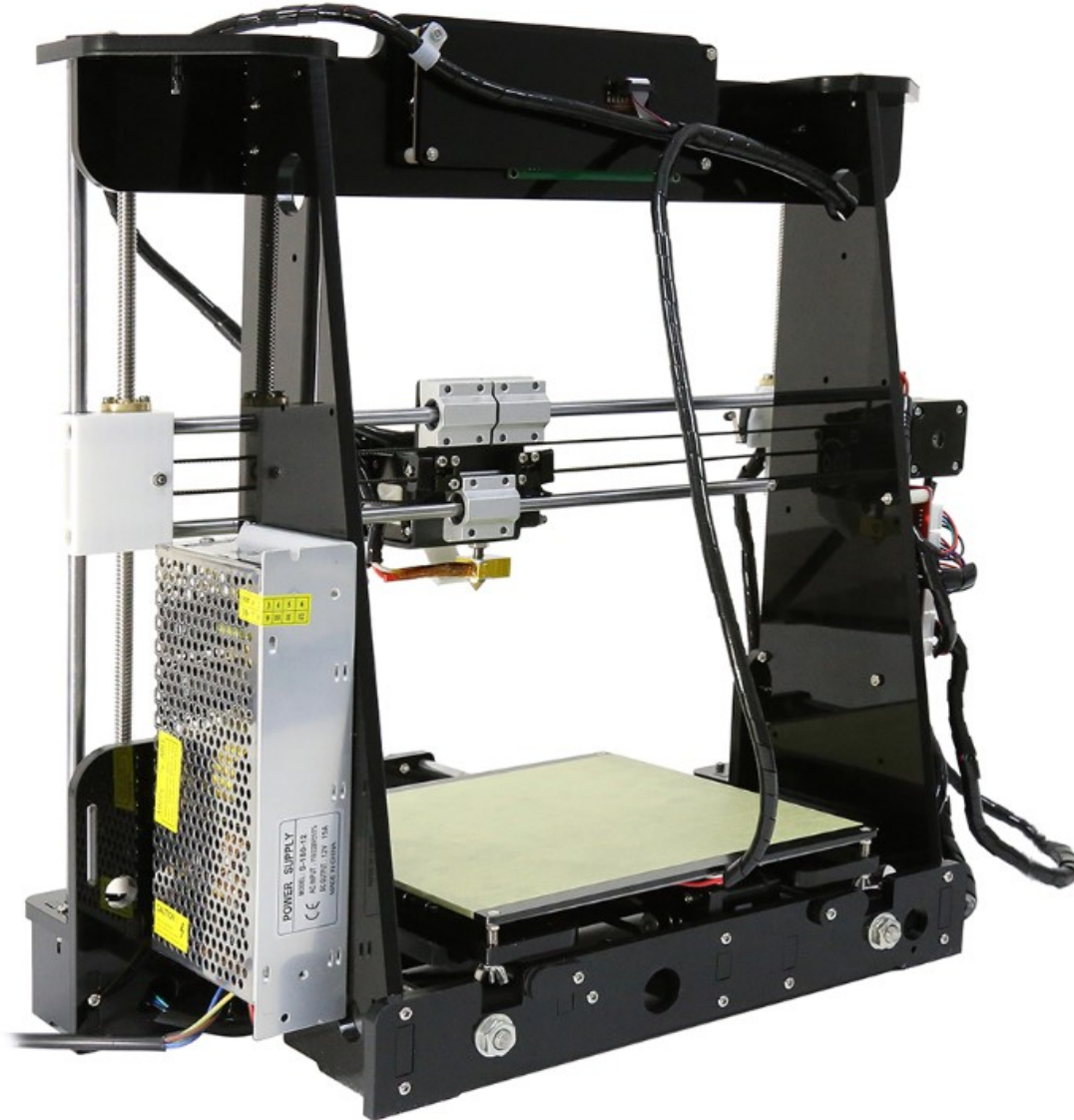
Assembly Step 32 Installation Picture 2



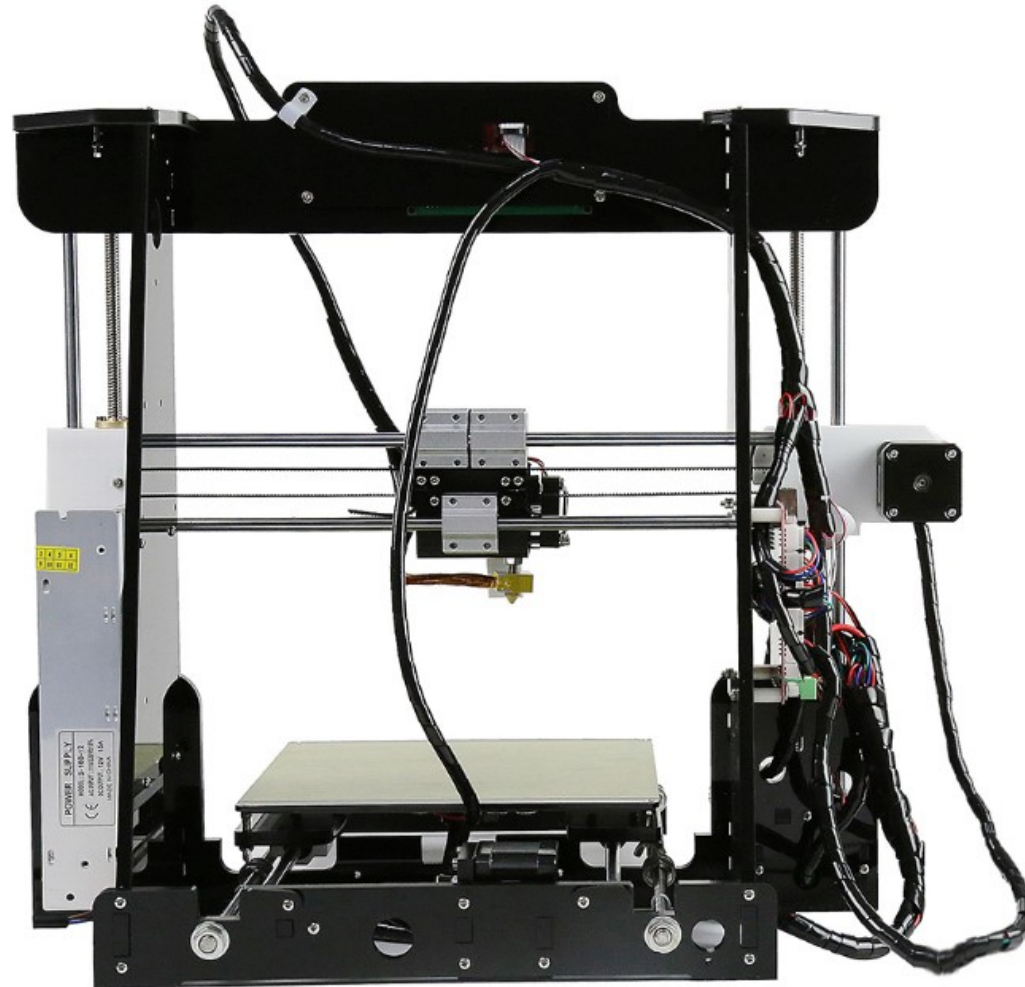
Assembly Step 32 Installation Picture 3



Assembly Step 32 Installation Picture 4



Assembly Step 32 Installation Picture 5



Installation Complete

- **Congratulations ! You have just made yourself a 3D printer !**
- **Please contact your 3D printer supplier if any puzzles during using process.**
- **Thank you for choosing our products, we will always provide you more services.**